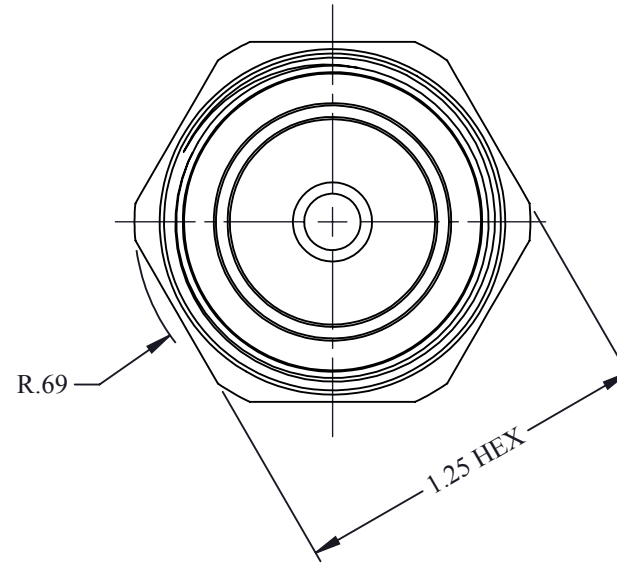
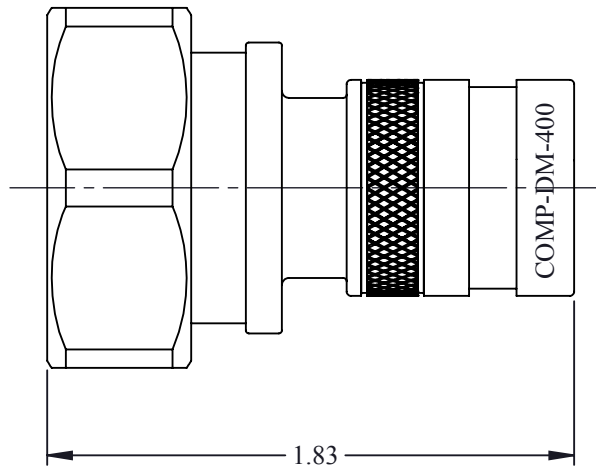


REV	DESCRIPTION	DATE	APPR
B1	CHANGED DWG FORMAT	10/15/15	JDMc



**SPECIFICATIONS:**

IMPEDANCE: 50 Ohms  
 FREQUENCY RANGE: 0-7.0 GHz  
 TEMPERATURE RANGE: -55°C TO 85°C  
 WATERPROOF DESIGN: IP68 RATED

11	861001-117	O-RING, Ø.799 X Ø.103	1
10	13163-01	PROTECTIVE CAP, 7-16 DIN MALE/FEMALE	1
9	11831-01	INSTALLATION CARD, 50 OHM BRAIDED	.010
8	11830-01	INSULATOR, 50 OHM, 7/16 DIN MALE, 400	1
7	11728-01	RETAINING RING, 50 OHM, 7/16 DIN MALE	1
6	11727-01	CONTACT, 50 OHM, 7/16 DIN MALE, 400	1
5	11726-01	BODY, 50 OHM, 7/16 DIN MALE, 400, 500	1
4	11707-01	NUT, 50 OHM, 7/16 DIN MALE	1
3	11561-01	COMPRESSION RING, 50 OHM, N MALE, 400	1
2	11559-01	POST, 50OHM, N MALE, 400	1
1	11558-01	CLAMP, 50 OHM, N MALE, 400	1
#	PART #	DESCRIPTION	QTY.

UNLESS OTHERWISE SPECIFIED

ALL DIMENSIONS ARE FOR REFERENCE ONLY.  
 ALL DIMENSIONS ARE IN INCHES.  
 INTERPRET DIMENSIONS PER ASME Y14.5M-1994.

**RoHS**  
 COMPLIANT

	NAME	DATE
DRAWN	C. ZUÑIGA	10/15/15
APPROVED		
CBL GROUP	N/A	
CODE:	000000	
MATERIAL:	BRASS	
FINISH:	WHITE BRONZE	

**RF INDUSTRIES**

7610 MIRAMAR RD. SAN DIEGO, CA. 92126  
 858-549-6340 FAX 858-549-6345

THESE DRAWINGS AND SPECIFICATIONS ARE THE PROPERTY OF RF INDUSTRIES LTD AND SHALL NOT BE REPRODUCED, COPIED OR USED AS A BASIS FOR MANUFACTURE OR SALE OF EQUIPMENT OR DEVICES WITHOUT WRITTEN PERMISSION.

TITLE: **7/16 DIN MALE FOR 400**

SCALE	DWG. NO.	SHEET	REV
NTS	COMP-DM-400	1 OF 1	B1