

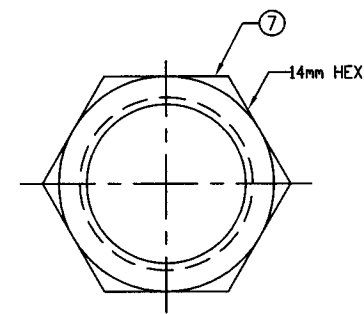
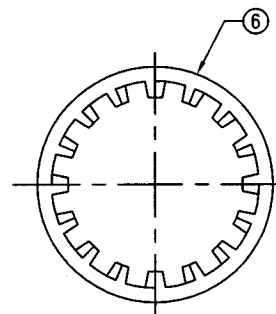
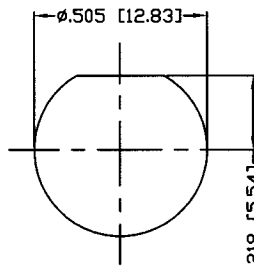
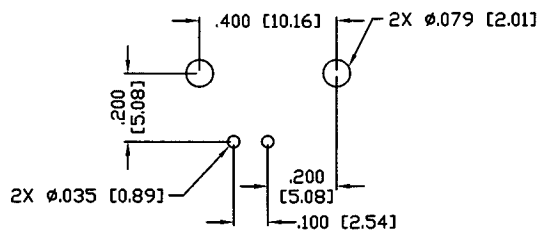
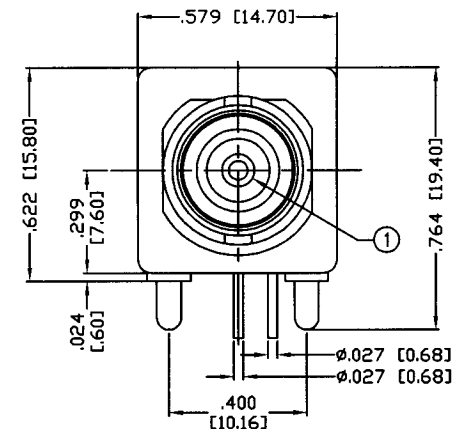
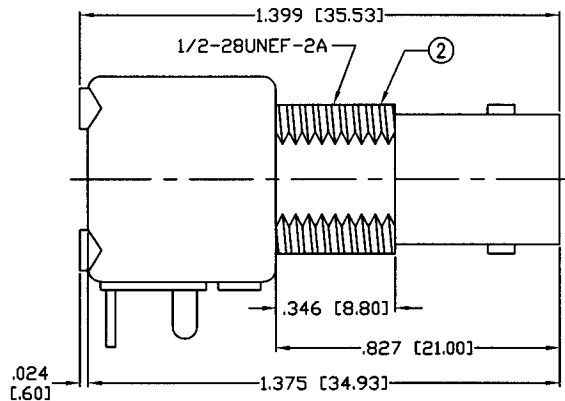
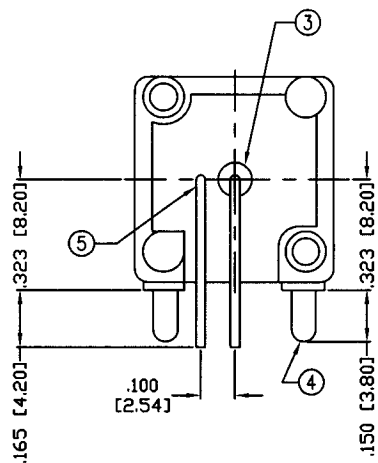
THIS DRAWING CONTAINS INFORMATION PROPRIETARY TO RF INDUSTRIES.  
 ANY UNAUTHORIZED USE OF THIS DRAWING IS EXPRESSLY PROHIBITED  
 WITHOUT WRITTEN PERMISSION FROM RF INDUSTRIES.  
 ANY VIOLATION IS PUNISHABLE UNDER U.S. COPYRIGHT LAWS.

ALL DIMENSIONS ARE REFERENCE ONLY

PART NO.

**RFB-1111**

REV	DESCRIPTION	DWN	DATE	APPROVED
A	ENGINEERING RELEASE	KMM	7/18/92	J. BENZ
B	STANDARDIZE	KMM	11/22/93	J. BENZ
C	CREATE ENVELOPE DRAWING	KMM	7/25/97	R. RICE
D	ADDED DIMENSIONS, UPDATE DWG LAYOUT	CZS	4/2/02	JDMc



**SPECIFICATIONS:**

PCB HOLE CONFIGURATION

RECOMMENDED PANEL CUTOUT

IMPEDANCE: 50 Ohms  
 FREQUENCY RANGE: 0-2 GHz  
 WORKING VOLTAGE: 500 V rms @ sea level

1	CONTACT	1	PHOS. BRONZE	GOLD, 3 $\mu$ "	000486
2	BODY	1	DIECAST ZINC	NICKEL, 100 $\mu$ "	
3	INSULATOR	1	PE-606	---	
4	MOUNTING POST	2	BRASS	TIN LEAD	
5	GROUND LEAD	1	BRASS WIRE	TIN LEAD	
6	LOCK WASHER	1	STEEL	NICKEL, 100 $\mu$ "	
7	HEX NUT	1	BRASS	NICKEL, 100 $\mu$ "	
8					
9					
10					
11					
12					
13					
14					
#	DESCRIPTION	QTY	MATERIAL	FINISH	APPROVALS

UNLESS OTHERWISE SPECIFIED:

1. REMOVE ALL BURRS
2. BREAK ALL CORNERS & EDGES .005 R. MAX.
3. CHAMFER 1ST & LAST THREADS 45°
4. SURFACE ROUGHNESS 63 FINISH MIL-STD-10
5. DIAMETERS ON COMMON CENTERS TO BE CONCENTRIC WITHIN .002 T.I.R.
6. ALL DIMENSIONS ARE AFTER PLATING.

DIMENSIONS ARE IN INCHES AND [MILLIMETERS]

UNLESS OTHERWISE NOTED TOLERANCES ARE:

DECIMALS	DIAMETER
.XXX $\pm$ .003 [.08]	.XXX $\pm$ .001 [.03]
.XX $\pm$ .005 [.13]	.XX $\pm$ .003 [.08]

DRAWN C. ZUNIGA 4/2/02  
 CHECKED JDMc 4-2-02  
 ORJ DRAWN P. BREAUX 7/18/92

**RF connectors**  
 DIVISION OF RF INDUSTRIES, LTD.

7610 MIRAMAR RD  
 SAN DIEGO, CA 92126  
 (858) 549-6340  
 (858) 549-6345 FAX

**BNC JACK**

RIGHT ANGLE, P. C. B. MOUNT, DIECAST

SIZE	CABLE GROUP	DWG NO.	REV
A	N/A	RFB-1111	D
SCALE: NTS		CAD FILE OUTLINE	SHEET 1 OF 1