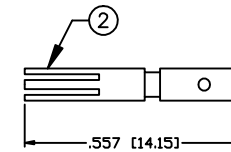
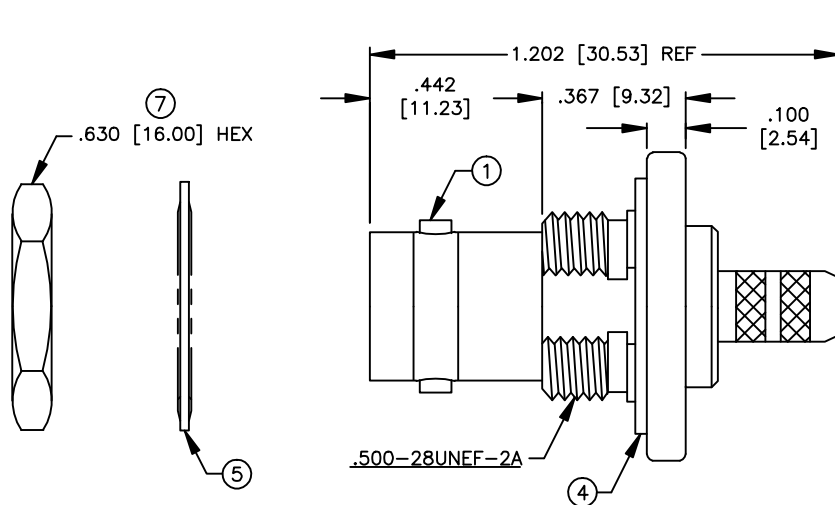


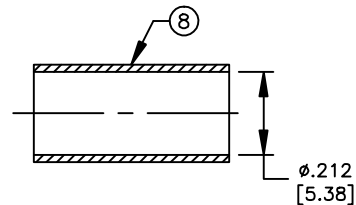
PART NO.

RFB-1117-C2

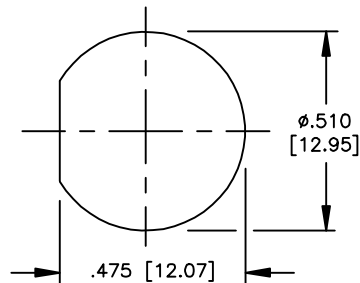
REV	DESCRIPTION	DWN	DATE	APPROVED
-	ENGINEERING RELEASE	CZS	05/23/12	JDMc



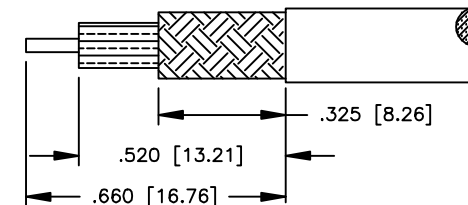
RECOMMENDED CRIMP DIE: .068"



RECOMMENDED CRIMP DIE: .213"



RECOMMENDED MOUNTING CONING.



RECOMMENDED STRIPPING INSTRUCTIONS

SPECIFICATIONS:

IMPEDANCE: 50 Ohms
 FREQUENCY RANGE: 0-4 GHz
 VSWR: 1.3 Max.
 WORKING VOLTAGE: 500 V rms @ sea level
 TEMPERATURE RANGE: -65°C TO 85°C
 INSULATION RESISTANCE: 5k M Ohms min.
 FOR TIMES LMR-200, ALPHA 9848 & MSI-22

ITEM	DESCRIPTION	QTY	MATERIAL	FINISH
8	FERRULE	1	BRASS	NICKEL 100 μ "
7	HEX NUT	1	BRASS	NICKEL 100 μ "
6	PRESS FIT WASHER	1	BRASS	NICKEL 100 μ "
5	LOCKWASHER	1	SK-5	NICKEL 100 μ "
4	GASKET	1	S.I. RUBBER	----
3	DIELECTRIC	1	DELTRIN	NONE
2	CONTACT	1	BRASS	GOLD 30 μ "
1	BODY	1	BRASS	NICKEL 100 μ "

CUSTOMER
OUTLINE DRAWINGALL DIMENSIONS
ARE REFERENCE ONLYUNLESS OTHERWISE SPECIFIED:
DIMENSIONS ARE IN INCHES
AND [MILLIMETERS]DRAWN
C. ZUNIGA 05/23/12

CHECKED

ORJ DRAWN
C. ZUNIGA 1/11/00**RoHS
COMPLIANT**

PROPRIETARY AND CONFIDENTIAL
 THIS DRAWING CONTAINS
 INFORMATION PROPRIETARY TO
 RF INDUSTRIES. ANY
 UNAUTHORIZED USE OF THIS
 DRAWING IS EXPRESSLY
 PROHIBITED WITHOUT WRITTEN
 PERMISSION FROM RF
 INDUSTRIES. ANY VIOLATION IS
 PUNISHABLE UNDER U.S.
 COPYRIGHT LAWS.

RFconnectors

DIVISION OF RF INDUSTRIES, LTD.

7610 MIRAMAR RD.
 SAN DIEGO, CA 92126
 (858) 549-6340
 (858) 549-6345 FAX

**BNC JACK, CRIMP
BULKHEAD**

SIZE	CABLE GROUP	DWG NO.	REV
A	C2	RFB-1117-C2	—
SCALE: NTS	ENGINEERING ID: 000000	SHEET 1 OF 1	