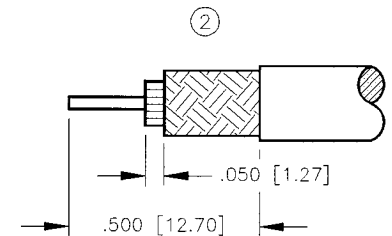
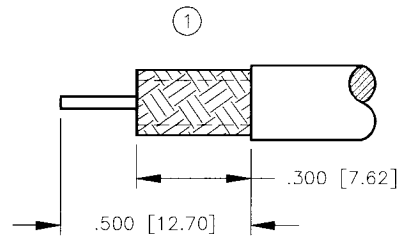
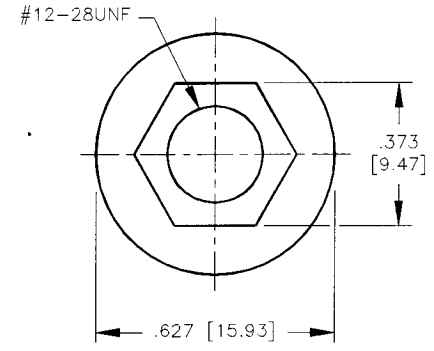
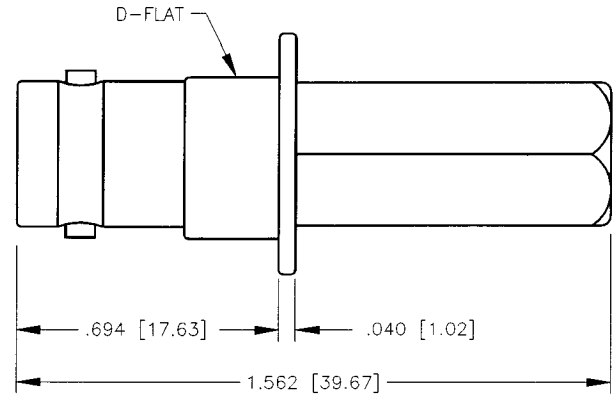
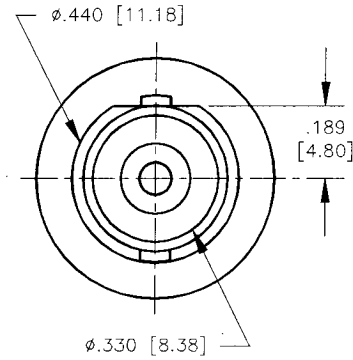


ENVELOPE / ASSEMBLY DRAWING

000000

| | | | | | |
|---|-----|----------------------------|-----|----------|----------|
| SPECIFICATION CONTROL DRAWING THIS DRAWING CONTAINS INFORMATION PROPRIETARY TO RF INDUSTRIES, LTD. ANY UNAUTHORIZED USE OF THIS DRAWING IS EXPRESSLY PROHIBITED. ANY VIOLATION IS PUNISHABLE UNDER U.S. COPYRIGHT LAWS. | REV | DESCRIPTION | DWN | DATE | APPROVED |
| | A | ENGINEERING RELEASE | CJ | 9/17/93 | J. BENZ |
| | B | CHANGE FLANGE THICKNESS | KMM | 8/6/93 | C. JONES |
| | C | ADD STRIPPING INSTRUCTIONS | CZS | 12/21/98 | R. RICE |

ALL DIMENSIONS ARE REFERENCE ONLY



IF USING STRANDED CABLE
PRE-TINNING OF CENTER
CONDUCTOR IS RECOMMENDED

SUGGESTED STRIPPING INSTRUCTIONS

TRIM BRAID TO .300 THEN COMPRESS
BRAID BY TWISTING CLOCKWISE TO
EXPOSE .050 DIELECTRIC

SPECIFICATIONS:

IMPEDANCE: 50 OHMS
 WORKING VOLTAGE: 500 VRMS @ SEA LEVEL
 FREQUENCY RANGE: 0-1 GHz
 INSERTION LOSS: ≤ -5 dB @ 1 GHz
 VSWR MAX: 1.5:1 @ 1 GHz
 FOR RG-58, 58A, 58C, 141, 141A, 400/U, BELDEN 8240,
 8259, 8262, 9201, 9203, 9310, 9311,
 COMM/SCOPE 0268 & CUSHCRAFT ULTRALINK TL92463E
 INTERFACE PER MIL-STD-348A, SECTION 301.2

DIMENSIONS ARE IN INCHES AND [MILLIMETERS]

UNLESS OTHERWISE NOTED TOLERANCES ARE:
DECIMALS DIAMETER

RF connectors
DIVISION OF RF INDUSTRIES, LTD.

7610 MIRAMAR RD
SAN DIEGO, CA 92126
(619)549-6340
(619)549-6345 FAX

RFB-1161

BNC FEMALE WALL PLATE FLUSH MOUNT TWIST ON JACK

| | | |
|-----------|--------------------|----------|
| DRAWN | C. ZUNIGA | 12/21/98 |
| CHECKED | <i>[Signature]</i> | 12/21/98 |
| OR. DRAWN | J. BENZ | 4/6/93 |
| APPROVALS | | DATE |

| | | | |
|--------|-------------|----------|--------------|
| SIZE | CABLE GROUP | DWG NO. | REV |
| A | C | 8077 | C |
| SCALE: | 2:1 | CAD FILE | 13ARC B |
| | | | SHEET 1 OF 1 |

| ITEM | DESCRIPTION | QTY | MATERIAL | FINISH |
|------|-------------|-----|----------|--------|
| 3 | DIELECTRIC | 1 | DELTRIN | NONE |
| 2 | CONTACT | 1 | BRASS | GOLD |
| 1 | BODY | 1 | BRASS | NICKEL |