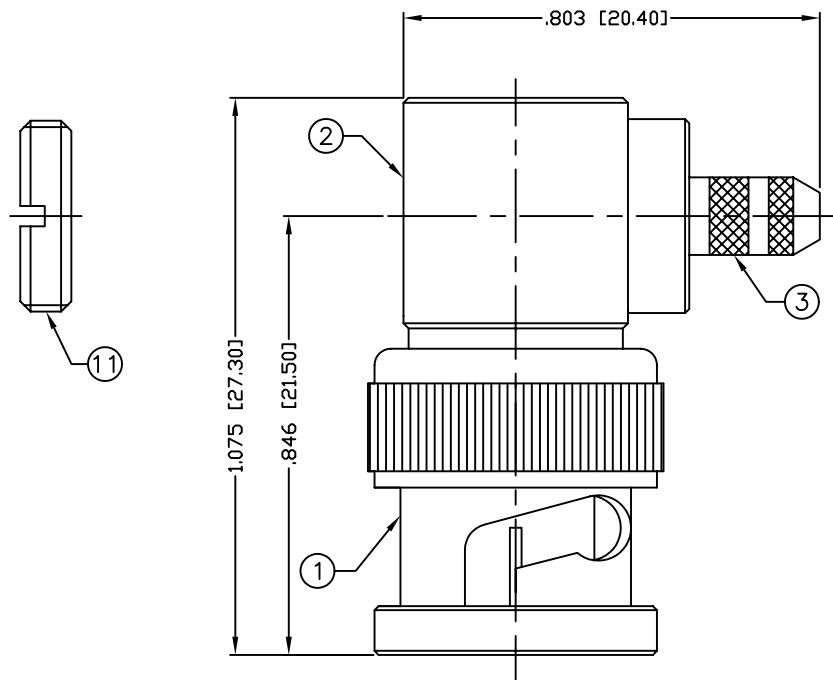


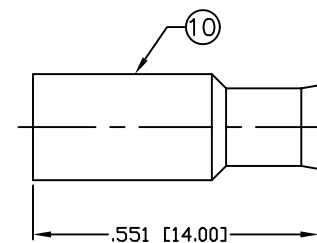
THIS DRAWING CONTAINS INFORMATION PROPRIETARY TO RF INDUSTRIES,
 ANY UNAUTHORIZED USE OF THIS DRAWING IS EXPRESSLY PROHIBITED
 WITHOUT WRITTEN PERMISSION FROM RF INDUSTRIES.
 ANY VIOLATION IS PUNISHABLE UNDER U.S. COPYRIGHT LAWS.

ALL DIMENSIONS ARE REFERENCE ONLY

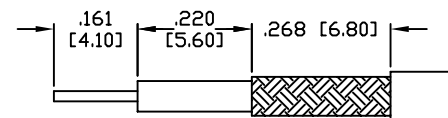


PART NO. RFB-1710-S1

REV	DESCRIPTION	DWN	DATE	APPROVED
-	ENGINEERING RELEASE	JDM	2/20/06	JDMc



RECOMMENDED CRIMP DIE: .178"



RECOMMENDED STRIPPING DIMENSIONS

SPECIFICATIONS:

IMPEDANCE: 75 Ohms
 FREQUENCY RANGE: 0-1 GHz
 WORKING VOLTAGE: 500 V rms @ sea level
 TEMPERATURE RANGE: -65°C TO 85°C
 INSULATION RESISTANCE: 5k M Ohms min.
 FOR RG-161, 179, 179A, 187 & 187A/U CABLE

1	SHELL	1	BRASS	NICKEL, 100 μ "	008974	
2	BODY	1	BRASS	NICKEL, 100 μ "		
3	FERRULE STUD	1	BRASS	NICKEL, 100 μ "		
4	INSULATOR	1	PTFE	WHITE		
5	PIN	1	BRASS	GOLD, 3 μ "		
6	GASKET	1	RUBBER	---		
7	RETAINING RING	1	BRASS	NICKEL, 100 μ "		
8	SPRING	1	SK5	NICKEL, 200 μ "		
9	WASHER	1	BRASS	NICKEL, 100 μ "		
10	FERRULE	1	BRASS	NICKEL, 100 μ "		
11	SCREW CAP	1	BRASS	NICKEL, 100 μ "		
12						
13						
14						
#	DESCRIPTION	QTY	MATERIAL	FINISH	APPROVALS	DATE

UNLESS OTHERWISE SPECIFIED:

DIMENSIONS ARE IN INCHES
 AND [MILLIMETERS]
 UNLESS OTHERWISE NOTED
 TOLERANCES ARE:

DECIMALS DIAMETER

RFconnectors
 DIVISION OF RF INDUSTRIES, LTD.

7610 MIRAMAR RD
 SAN DIEGO, CA 92126
 (858) 549-6340
 (858) 549-6345 FAX

BNC PLUG, CRIMP

RIGHT ANGLE

SIZE A	CABLE GROUP S1	DWG NO. RFB-1710-S1	REV -
SCALE: NTS	CAD FILE	OUTLINE	SHEET 1 OF 1