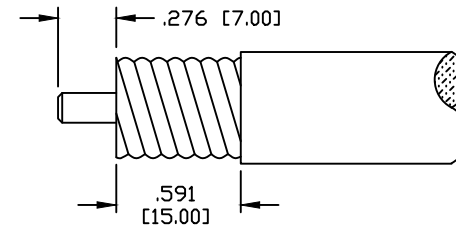
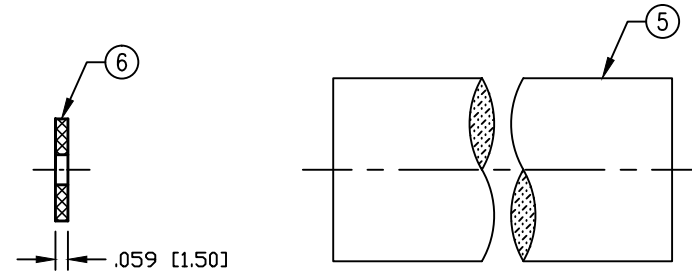
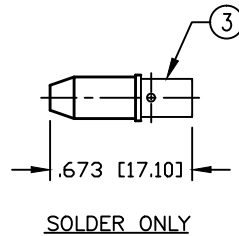
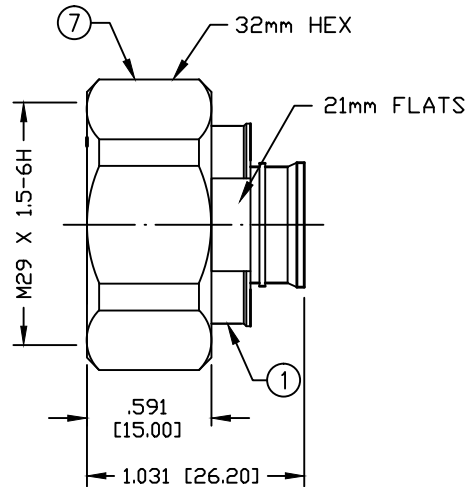


PART NO.		RFD-1601DS-H4		
REV	DESCRIPTION	DWN	DATE	APPROVED
A	UPDATED TRIM TOOL P/N	CZS	07/19/19	JDMc



RECOMMENDED STRIPING DIMENSIONS

USE OF CABLE TRIM TOOL IS RECOMMENDED
USE COMPATIBLE TRIM TOOL SUCH AS TRIM-SET-S12-D01

SPECIFICATIONS:

INTERFACE: IEC61169-4
 IMPEDANCE: 50 OHMS
 FREQUENCY RANGE: DC-7.5 GHz
 VSWR MAX: <1.15:1 @ 3 GHz
 3rd ORDER IM: ≤-160 dBc
 DIELECTRIC WITHSTANDING VOLTAGE: 1500V
 INSULATION RESISTANCE: 10000M OHM
 TEMPERATURE RANGE: -40°C TO +155°C
 FOR FSJ4-50B, SCF12-50J & SP0-500

#	DESCRIPTION	QTY	MATERIAL	FINISH
7	COUPLING NUT	1	BRASS	WHITE BRONZE
6	SPACER	1	PTFE	---
5	TUBING	1	HEAT SHRINK	---
4	GASKET	1	RUBBER	---
3	PIN	1	BRASS	SILVER
2	INSULATOR	1	PTFE	---
1	BODY	1	BRASS	WHITE BRONZE

CUSTOMER OUTLINE DRAWING	
ALL DIMENSIONS ARE REFERENCE ONLY	
UNLESS OTHERWISE SPECIFIED: DIMENSIONS ARE IN INCHES AND [MILLIMETERS]	
DRAWN C. ZUNIGA	07/19/19
CHECKED	
ORJ DRAWN C. ZUNIGA	04/24/18

RoHS COMPLIANT

PROPRIETARY AND CONFIDENTIAL
 THIS DRAWING CONTAINS INFORMATION PROPRIETARY TO RF INDUSTRIES, ANY UNAUTHORIZED USE OF THIS DRAWING IS EXPRESSLY PROHIBITED WITHOUT WRITTEN PERMISSION FROM RF INDUSTRIES. ANY VIOLATION IS PUNISHABLE UNDER U.S. COPYRIGHT LAWS.

RFconnectors
 DIVISION OF RF INDUSTRIES, LTD. 7610 MIRAMAR RD. SAN DIEGO, CA 92126 (858) 549-6340 (858) 549-6345 FAX

7/16 DIN PLUG			
DIRECT SOLDER FOR 1/2" SUPERFLEX CABLE			
SIZE A	CABLE GROUP H4	DWG NO. RFD-1601DS-H4	REVISION A
SCALE: NTS	ENGINEERING ID: 000000	SHEET 1 OF 1	