

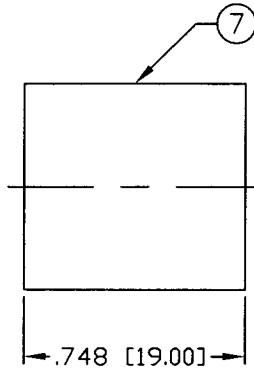
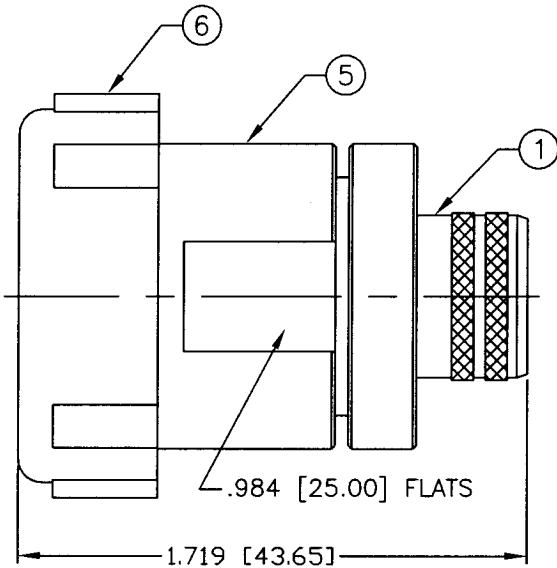
THIS DRAWING CONTAINS INFORMATION PROPRIETARY TO RF INDUSTRIES.  
 ANY UNAUTHORIZED USE OF THIS DRAWING IS EXPRESSLY PROHIBITED  
 WITHOUT WRITTEN PERMISSION FROM RF INDUSTRIES.  
 ANY VIOLATION IS PUNISHABLE UNDER U.S. COPYRIGHT LAWS.

ALL DIMENSIONS ARE REFERENCE ONLY

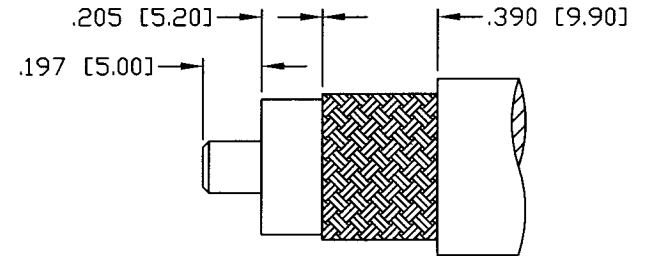
PART NO.

**RFD-1631-2L2**

REV	DESCRIPTION	DWN	DATE	APPROVED
-	ENGINEERING RELEASE	JDM	8/1/00	JDMc
A	CHANGE FORMAT & SPECS	GGG	2/13/02	JDMc
B	CORRECT CABLE GROUP LIST	CZS	3/26/04	JDMc



RECOMMENDED CRIMP DIE: .60"



RECOMMENDED  
STRIPPING DIMENSIONS

**SPECIFICATIONS:**

IMPEDANCE: 50 Ohms  
 FREQUENCY RANGE: 0-7.5 GHz  
 PEAK POWER: 13.2 Kw max.  
 AVERAGE POWER: 3.0 Kw max.  
 TEMPERATURE RANGE: -55°C TO 165°C  
 FOR TIMES LMR-600, LMR-600 ULTRAFLEX & T-COM-600

1	FERRULE STUD	1	BRASS	SILVER, 120μ"
2	INSULATOR	1	PTFE	---
3	CONTACT	1	Be-Cu	SILVER, 200μ"
4	GASKET	1	SILICONE	---
5	BODY	1	BRASS	SILVER, 120μ"
6	CAP	1	PE	BLUE
7	FERRULE	1	BRASS	SILVER, 120μ"
8				
9				
10				
11				
12				
13				
14				
#	DESCRIPTION	QTY	MATERIAL	FINISH

008974	
DRAWN C. ZUNIGA	3/26/04
CHECKED <i>[Signature]</i>	3/26/04
ORJ DRAWN C. ZUNIGA	3/7/00
APPROVALS	DATE

UNLESS OTHERWISE SPECIFIED:  
  
 DIMENSIONS ARE IN INCHES  
 AND [MILLIMETERS]  
 UNLESS OTHERWISE NOTED  
 TOLERANCES ARE:  
 DECIMALS      DIAMETER

7610 MIRAMAR RD  
 SAN DIEGO, CA 92126  
 (858) 549-6340  
 (858) 549-6345 FAX

**RF connectors**  
DIVISION OF RF INDUSTRIES, LTD.

## 7/16, STRAIGHT JACK

CRIMP

SIZE A	CABLE GROUP L2	DWG NO. RFD-1631-2L2	REV B
-----------	-------------------	-------------------------	----------

SCALE:    NTS                      CAD FILE    OUTLINE                      SHEET 1 OF 1