

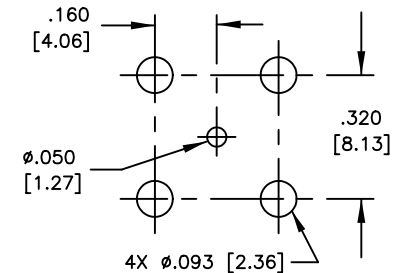
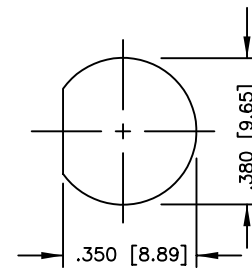
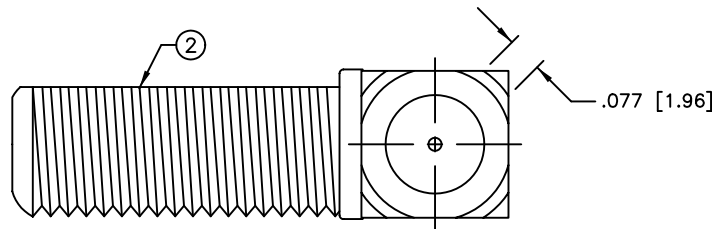
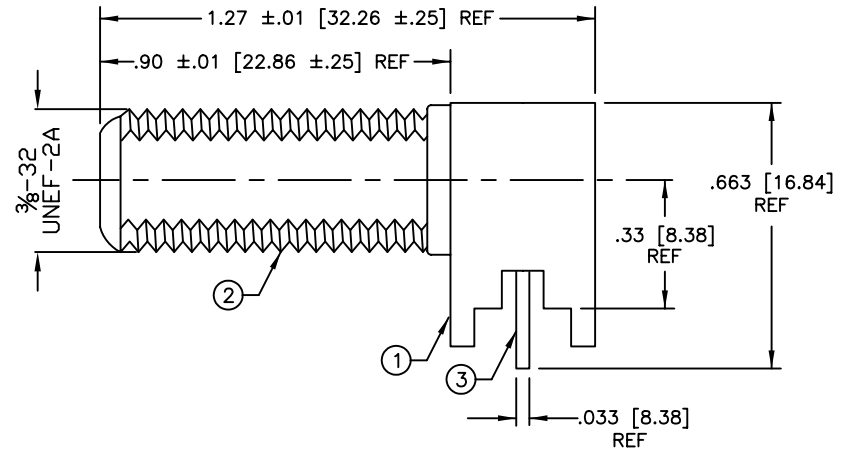
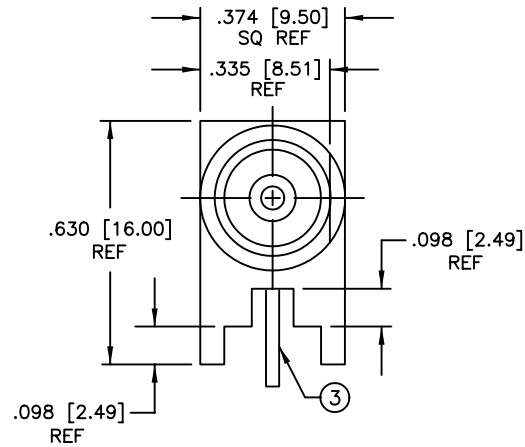
THIS DRAWING CONTAINS INFORMATION PROPRIETARY TO RF INDUSTRIES,
 ANY UNAUTHORIZED USE OF THIS DRAWING IS EXPRESSLY PROHIBITED
 WITHOUT WRITTEN PERMISSION FROM RF INDUSTRIES.
 ANY VIOLATION IS PUNISHABLE UNDER U.S. COPYRIGHT LAWS.

ALL DIMENSIONS ARE REFERENCE ONLY

PART NO.

RFF-1442

REV	DESCRIPTION	DWN	DATE	APPROVED
A	CHANGE CONTACT & CENTER PIN PLATING	CJ	3/3/93	C. JONES
B	CHANGE DIMS	KMM	11/13/96	R. RICE
C	CHANGE TOLERANCE ON LENGTH	BMA	3/19/97	R. RICE
D	ADD THREAD CALL OUT CHANGE PART # FROM 8028	CZS	12/11/00	JDMc
E	DIELECTRIC CHANGED TO DELRIN	JDM	5/12/05	JDMc



SPECIFICATIONS:

IMPEDANCE: 75 OHMS

SUGGESTED MOUNTING CONFIGURATION

1	BASE	1	BRASS	NICKEL	008974	
2	BODY	1	BRASS	NICKEL		
3	CONTACT	1	PHOS. BRONZE	TIN		
4	DIELECTRIC	1	DELRIN	----		
5	DIELECTRIC	1	DELRIN	----		
6	DIELECTRIC	1	DELRIN	----		
7	CENTER PIN	1	BRASS	TIN		
8						
9						
10					DRAWN	
11					JDMc	
12					5/12/05	
13					CHECKED	
14					ORJ DRAWN	
					R. J.	
					2/8/91	
#	DESCRIPTION	QTY	MATRL	FINISH	APPROVALS	DATE

UNLESS OTHERWISE SPECIFIED:
 1. REMOVE ALL BURRS
 2. BREAK ALL CORNERS & EDGES .005 R. MAX.
 3. CHAMFER 1ST & LAST THREADS 45°
 4. SURFACE ROUGHNESS 63 FINISH MIL-STD-10
 5. DIAMETERS ON COMMON CENTERS TO BE CONCENTRIC WITHIN .002 T.I.R.
 6. ALL DIMENSIONS ARE AFTER PLATING.

DIMENSIONS ARE IN INCHES AND [MILLIMETERS]
 UNLESS OTHERWISE NOTED TOLERANCES ARE:

DECIMALS	DIAMETER
.XXX±.003 [.08]	.XXX±.001 [.03]
.XX±.005 [.13]	.XX±.003 [.08]

RF connectors
 DIVISION OF RF INDUSTRIES, LTD.

7610 MIRAMAR RD
 SAN DIEGO, CA 92126
 (858) 549-6340
 (858) 549-6345 FAX

F FEMALE RIGHT ANGLE

PCB MOUNT

SIZE	CABLE GROUP	DWG NO.	REV
A	N/A	RFF-1442	E
SCALE:	NTS	CAD FILE	OUTLINE
SHEET 1 OF 1			