

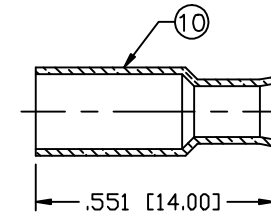
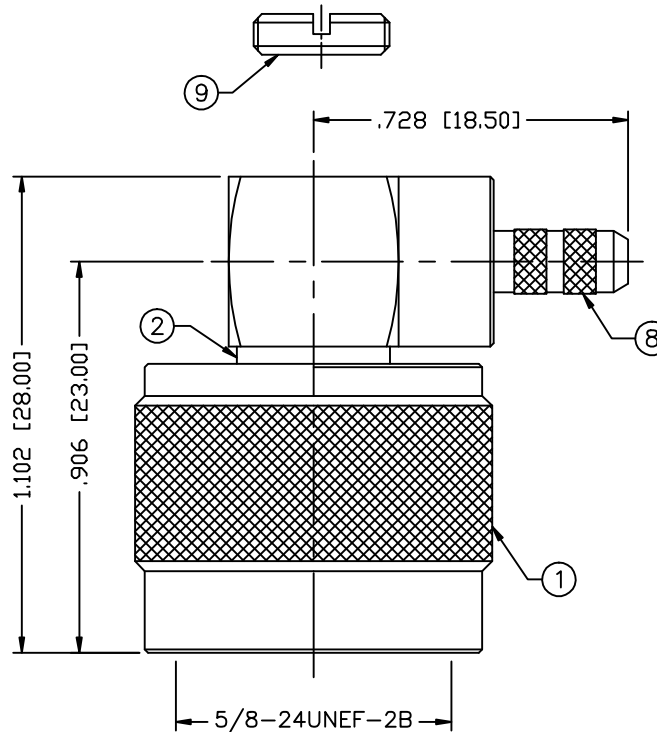
THIS DRAWING CONTAINS INFORMATION PROPRIETARY TO RF INDUSTRIES,
 ANY UNAUTHORIZED USE OF THIS DRAWING IS EXPRESSLY PROHIBITED
 WITHOUT WRITTEN PERMISSION FROM RF INDUSTRIES.
 ANY VIOLATION IS PUNISHABLE UNDER U.S. COPYRIGHT LAWS.

ALL DIMENSIONS ARE REFERENCE ONLY

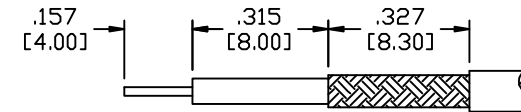
PART NO.

RFN-1009-B1-03

REV	DESCRIPTION	DWN	DATE	APPROVED
-	ENGINEERING RELEASE	CZS	02/21/11	JDMc



RECOMMENDED CRIMP DIE: .178"



RECOMMENDED STRIPPING DIM'S

SPECIFICATIONS:

IMPEDANCE: 50 Ohms
 FREQUENCY RANGE: 0-11 GHz
 INSERTION LOSS: .06 dB Max. X \sqrt{f} GHz
 WORKING VOLTAGE: 1k V rms @ sea level
 TEMPERATURE RANGE: -65°C TO 165°C
 INSULATION RESISTANCE: 5k M Ohms min.
 FOR RG-316/U DOUBLE SHIELD CABLE

1	SHELL	1	BRASS	NICKEL, 100μ"	008974	
2	BODY	1	PTFE	NICKEL, 100μ"		
3	INSULATOR	1	PTFE	----		
4	GROUND RING	1	BRASS	NICKEL, 100μ"		
5	GASKET	1	SILICONE	----		
6	RETAINER RING	1	SST	----		
7	PIN	1	BRASS	GOLD, 3μ"		
8	FERRULE STUD	1	BRASS	NICKEL, 100μ"		
9	NUT	1	BRASS	NICKEL, 100μ"		
10	FERRULE	1	BRASS	NICKEL, 100μ"		
11					DRAWN	
12					C. ZUNIGA	02/21/11
13					CHECKED	
14					ORJ DRAWN	
					C. ZUNIGA	6/17/05
#	DESCRIPTION	QTY	MATERIAL	FINISH	APPROVALS	DATE

UNLESS OTHERWISE SPECIFIED:

DIMENSIONS ARE IN INCHES
 AND [MILLIMETERS]
 UNLESS OTHERWISE NOTED
 TOLERANCES ARE:
 DECIMALS DIAMETER

RFconnectors
 DIVISION OF RF INDUSTRIES, LTD.

7610 MIRAMAR RD
 SAN DIEGO, CA 92126
 (858) 549-6340
 (858) 549-6345 FAX

N PLUG, CRIMP

RIGHT ANGLE

SIZE	CABLE GROUP	DWG NO.	REV
A	B1	RFN-1009-B1-03	-
SCALE:	NTS	CAD FILE	OUTLINE
			SHEET 1 OF 1