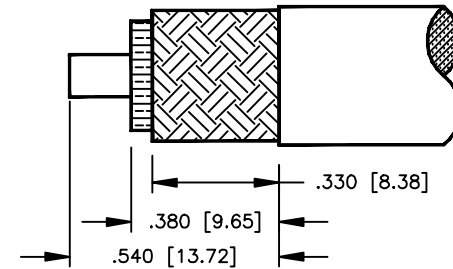
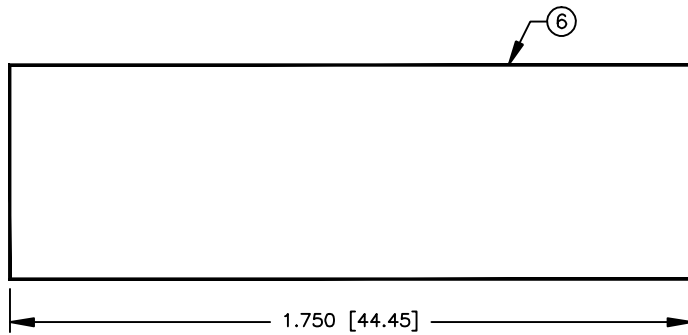
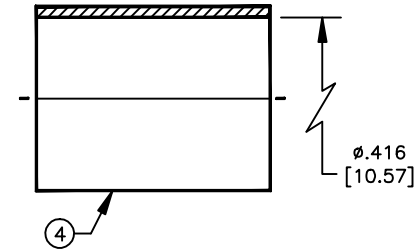
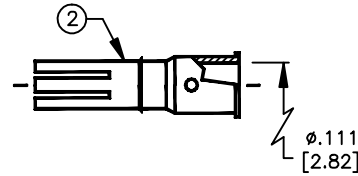
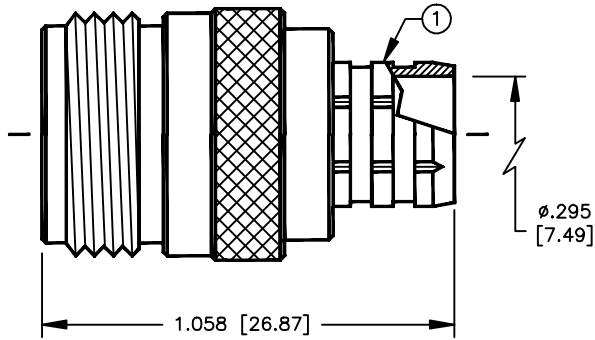


# SPECIFICATION CONTROL DRAWING

THIS DRAWING CONTAINS INFORMATION PROPRIETARY TO RF INDUSTRIES, LTD. ANY UNAUTHORIZED USE OF THIS DRAWING IS EXPRESSLY PROHIBITED. ANY VIOLATION IS PUNISHABLE UNDER U.S. COPYRIGHT LAWS.

REV	DESCRIPTION	DWN	DATE	APPROVED
A	ENGINEERING RELEASE	CZS	3/22/99	R. RICE

ALL DIMENSIONS ARE REFERENCE ONLY



SUGGESTED STRIPPING INSTRUCTIONS  
SUGGESTED DIES: .128 & .429

000000

## SPECIFICATIONS:

IMPEDANCE: 50 OHMS  
WORKING VOLTAGE: 1000 VRMS @ SEA LEVEL  
FREQUENCY RANGE: 0-11 GHz  
INSERTION LOSS:  $\leq$  -.2 dB @ 10 GHz  
VSWR MAX: 1.3:1 @ 9 GHz  
FOR BELDEN 89913 (PLENUM) CABLE

DIMENSIONS ARE IN INCHES AND [MILLIMETERS]

UNLESS OTHERWISE NOTED TOLERANCES ARE:  
DECIMALS DIAMETER

**RF connectors**  
DIVISION OF RF INDUSTRIES, LTD.

7610 MIRAMAR RD  
SAN DIEGO, CA 92126  
(619)549-6340  
(619)549-6345 FAX

## RFN-1028-PL

N FEMALE CRIMP

ITEM	DESCRIPTION	QTY	MATERIAL	FINISH
6	HEAT SHRINK TUBING	1	TUB-S500A-BK2	BLACK
5	PRESS FIT SLEEVE	1	BRASS	SILVER
4	FERRULE [FER-205]	1	BRASS	SILVER
3	DIELECTRIC	1	PTFE	NONE
2	CONTACT [CON-309-10]	1	BRASS	GOLD
1	BODY	1	BRASS	SILVER

DRAWN	C. ZUNIGA	3/22/99
CHECKED		
ORJ DRAWN	C. ZUNIGA	3/22/99
APPROVALS		DATE

SIZE	CABLE GROUP	DWG NO.	REV
A	PL	9121	A
SCALE:	2:1	CAD FILE	13ARC B
			SHEET 1 OF 1