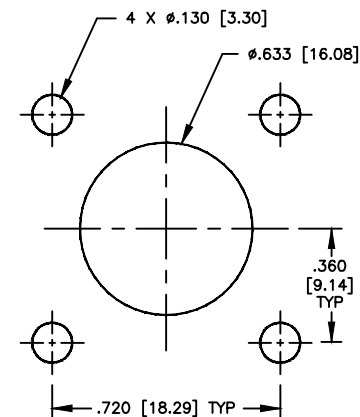
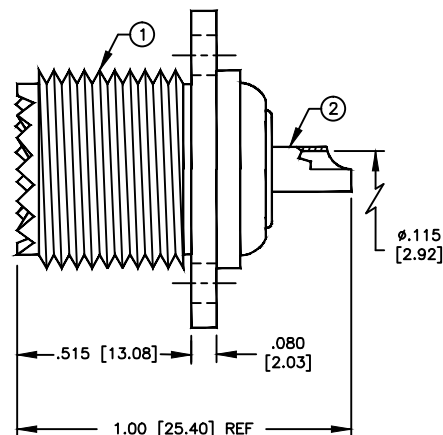
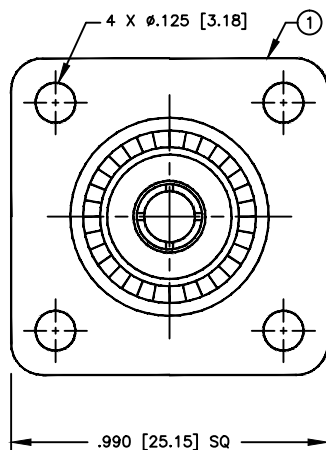


PART NO.

**RFU-521**

REV	DESCRIPTION	DWN	DATE	APPROVED
A	CHANGE BOM & DWG FORMAT	CZS	01/27/17	JDMc



SUGGESTED MOUNTING CONFIGURATION

**SPECIFICATIONS:**

IMPEDANCE: NON CONSTANT  
 WORKING VOLTAGE: 500 VRMS @ SEA LEVEL  
 FREQUENCY RANGE: 0-300 MHz

#	DESCRIPTION	QTY	MATERIAL	FINISH
4	PRESS FIT WASHER	1	BRASS	NICKEL
3	CONTACT	1	BRASS	GOLD
2	INSULATOR	1	PTFE	---
1	BODY	1	BRASS	NICKEL

CUSTOMER  
OUTLINE DRAWINGALL DIMENSIONS  
ARE REFERENCE ONLYUNLESS OTHERWISE SPECIFIED:  
DIMENSIONS ARE IN INCHES  
AND [MILLIMETERS]

DRAWN	C. ZUNIGA	01/27/17
CHECKED		
ORJ DRAWN	C. ZUNIGA	4/1/98

**RoHS  
COMPLIANT**

PROPRIETARY AND CONFIDENTIAL  
 THIS DRAWING CONTAINS  
 INFORMATION PROPRIETARY TO  
 RF INDUSTRIES. ANY  
 UNAUTHORIZED USE OF THIS  
 DRAWING IS EXPRESSLY  
 PROHIBITED WITHOUT WRITTEN  
 PERMISSION FROM RF  
 INDUSTRIES. ANY VIOLATION IS  
 PUNISHABLE UNDER U.S.  
 COPYRIGHT LAWS.

**RFconnectors**

7610 MIRAMAR RD.  
 SAN DIEGO, CA 92126  
 (858) 549-6340  
 DIVISION OF RF INDUSTRIES, LTD. (858) 549-6345 FAX

**UHF FEMALE / SO-239**

4 HOLE FLANGE WITH SOLDER CUP

SIZE	CABLE GROUP	DWG NO.	REV
A	N/A	<b>RFU-521</b>	—
SCALE:	ENGINEERING ID:	001560	SHEET 1 OF 1
NTS			