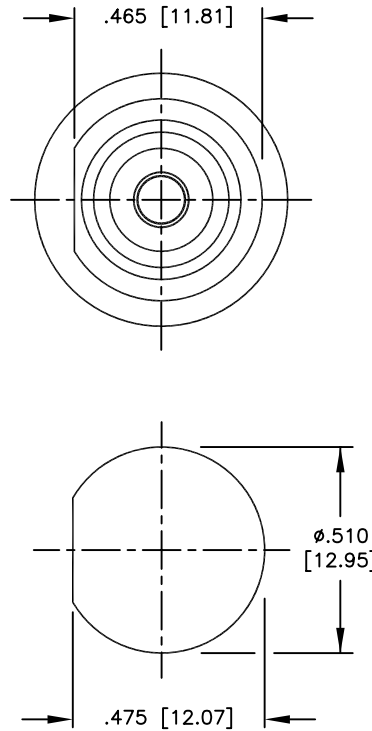
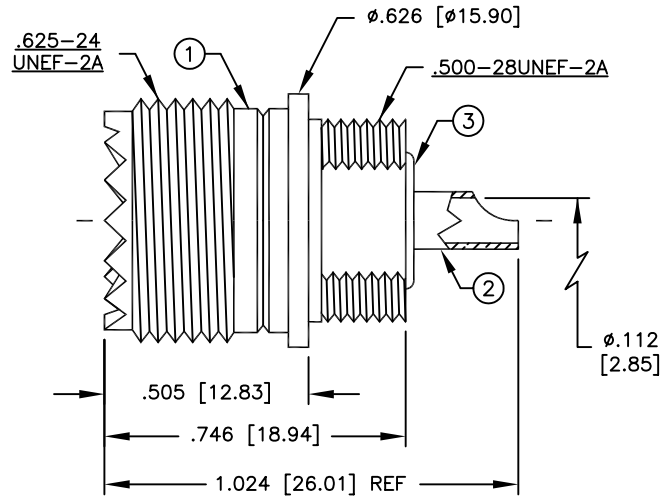


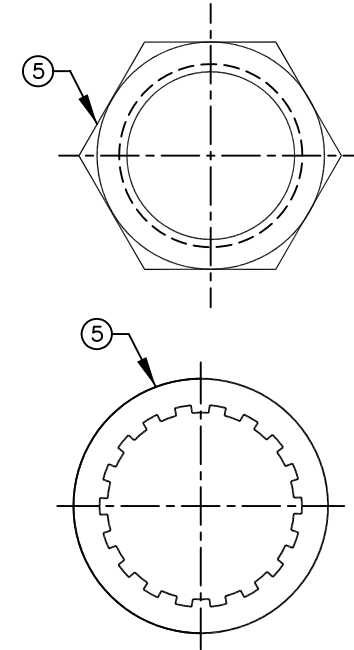
THIS DRAWING CONTAINS INFORMATION PROPRIETARY TO RF INDUSTRIES,  
 ANY UNAUTHORIZED USE OF THIS DRAWING IS EXPRESSLY PROHIBITED  
 WITHOUT WRITTEN PERMISSION FROM RF INDUSTRIES.  
 ANY VIOLATION IS PUNISHABLE UNDER U.S. COPYRIGHT LAWS.

ALL DIMENSIONS ARE REFERENCE ONLY

PART NO.		<b>RFU-523-1</b>		
REV	DESCRIPTION	DWN	DATE	APPROVED
A	ENGINEERING RELEASE	DF	6/23/88	J. BENZ
B	ENGINEERING RELEASE	KMM	11/1/93	J. BENZ
C	CHANGE DIMENSIONS THROUGHOUT -- UPDATE DWG	CZS	11/17/99	J. D. McR
D	CHANGE ITEM #3 MATERIAL	CZS	08/22/07	JDMc



PANEL MOUNTING CONFIG



**SPECIFICATIONS:**

IMPEDANCE: NON CONSTANT  
 WORKING VOLTAGE: 500 VRMS @ SEA LEVEL  
 FREQUENCY RANGE: 0-300 MHZ

#	DESCRIPTION	QTY	MATERIAL	FINISH
1	BODY	1	BRASS	NICKEL, 100μ"
2	CONTACT	1	BRASS	SILVER, 30μ"
3	DIELECTRIC	1	PTFE	---
4	HEX-NUT (HEX-500-28E)	1	BRASS	NICKEL, 100μ"
5	LOCK WASHER (LKW-500)	1	BRASS	NICKEL, 100μ"

<b>RoHS COMPLIANT</b>	APPROVALS	DATE	<b>RFconnectors</b> DIVISION OF RF INDUSTRIES, LTD.	7610 MIRAMAR RD. SAN DIEGO, CA 92126 (858) 549-6340 (858) 549-6345 FAX
	DRAWN C. ZUNIGA	08/22/07		
UNLESS OTHERWISE SPECIFIED:  DIMENSIONS ARE IN INCHES AND [MILLIMETERS]  ALL DIMENSIONS ARE REFERENCE ONLY	CHECKED		<b>RFU-523-1 / S0239-FM</b>	
	ORJ DRAWN J. BENZ	11/2/93	UHF FEMALE BULKHEAD, FRONT MOUNT	
PROPRIETARY AND CONFIDENTIAL THIS DRAWING CONTAINS INFORMATION PROPRIETARY TO RF INDUSTRIES, ANY UNAUTHORIZED USE OF THIS DRAWING IS EXPRESSLY PROHIBITED WITHOUT WRITTEN PERMISSION FROM RF INDUSTRIES. ANY VIOLATION IS PUNISHABLE UNDER U.S. COPYRIGHT LAWS.		<b>RFU-523-1</b>		REV <b>D</b>
		SIZE	CABLE GROUP	DWG NO.
		A	N/A	<b>RFU-523-1</b>
		SCALE:	CODE	SHEET 1 OF 1
		NTS	008974	