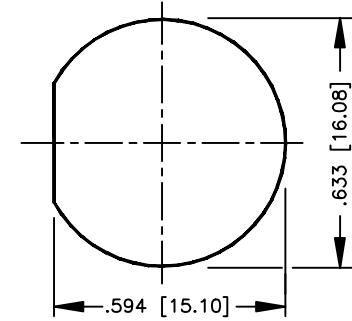
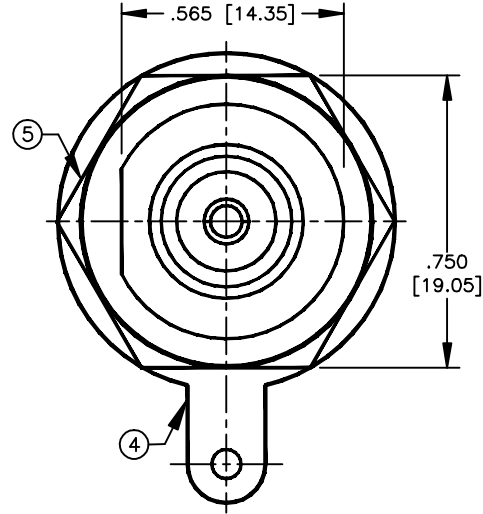
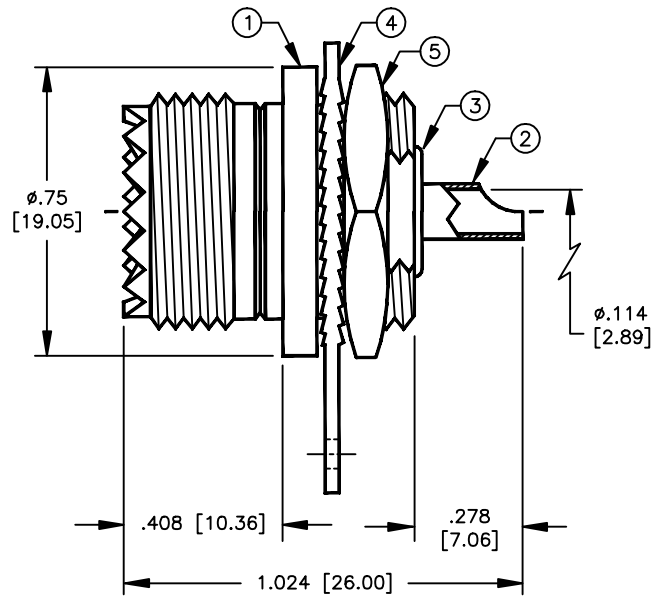


SPECIFICATION CONTROL DRAWING

THIS DRAWING CONTAINS INFORMATION PROPRIETARY TO RF INDUSTRIES, LTD. ANY UNAUTHORIZED USE OF THIS DRAWING IS EXPRESSLY PROHIBITED. ANY VIOLATION IS PUNISHABLE UNDER U.S. COPYRIGHT LAWS.

REV	DESCRIPTION	DWN	DATE	APPROVED
A	ENGINEERING RELEASE	CJ	5/28/91	J. BENZ
B	ADD DIELECTRIC BARRIER	KMM	7/9/93	J. BENZ
C	GENERAL UPDATE	WMD	10/22/93	J. BENZ
D	ADD CAPT BARB TO CONTACT \ ENLARGE CONTACT ID	KMM	10/7/97	R. RICE

ALL DIMENSIONS ARE REFERENCE ONLY



SUGGESTED MOUNTING CONFIGURATION

SPECIFICATIONS:

IMPEDANCE: NON CONSTANT
 WORKING VOLTAGE: 500 VRMS @ SEA LEVEL
 FREQUENCY RANGE: 0-300 MHz

DIMENSIONS ARE IN INCHES AND [MILLIMETERS]

UNLESS OTHERWISE NOTED TOLERANCES ARE:

DECIMALS DIAMETER

RFconnectors
 DIVISION OF RF INDUSTRIES, LTD.

7610 MIRAMAR RD
 SAN DIEGO, CA 92126
 (619)549-6340
 (619)549-6345 FAX

RFU-523-T / SO-239-FM

UHF FEMALE FRONT MOUNT CHASSIS CONNECTOR

ITEM	DESCRIPTION	QTY	MATERIAL	FINISH
5	HEX NUT	1	BRASS	NICKEL
4	LOCK WASHER	1	BRASS	NICKEL
3	DIELECTRIC	1	PTFE	NONE
2	CONTACT	1	BRASS	SILVER
1	BODY	1	BRASS	NICKEL

DRAWN K. MAXWELL	10/6/97
CHECKED	
ORJ DRAWN D. BRUMLEY	5/28/91
APPROVALS	DATE

SIZE A	CABLE GROUP N/A	DWG NO. 8159	REV D
SCALE: 2:1		CAD FILE 13ARC B	SHEET 1 OF 1