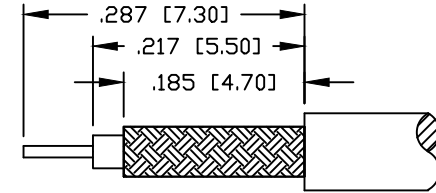
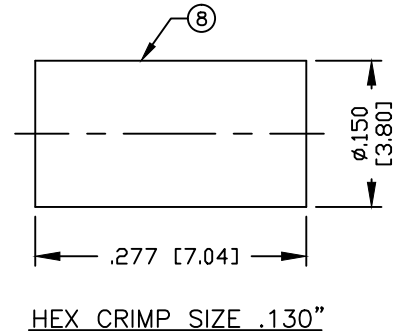
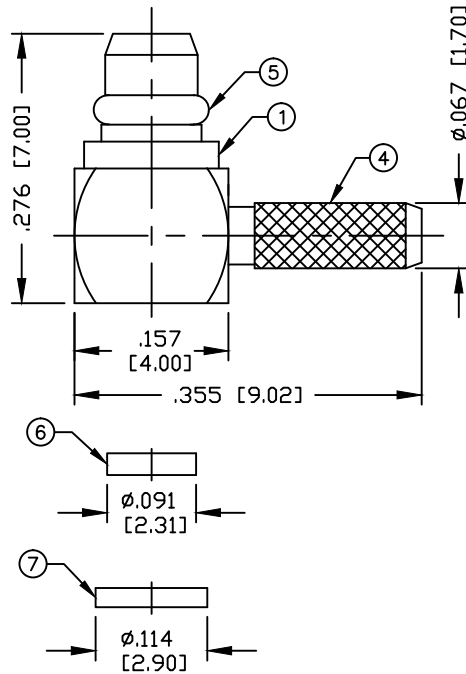


PART NO.

RMX-9010-1A

REV	DESCRIPTION	DWN	DATE	APPROVED
E	UPDATED CONNECTOR DESIGN & DWG FORMAT	CZS	06/27/19	JDMc



RECOMMENDED
CABLE STRIPPING DIMENSIONS

SPECIFICATIONS:

IMPEDANCE: 50 Ohms
 FREQUENCY RANGE: 0-6 GHz
 ENGAGEMENT FORCE: 8 lbs. MAX.
 DISENGAGEMENT FORCE: 1.4 lbs. MIN.
 INSULATION RESISTANCE: 1K M Ohms
 WORKING VOLTAGE: 170 Vrms AT SEA LEVEL
 FOR RG-178, 178A, 178B, 196, 196A/U

#	DESCRIPTION	QTY	MATERIAL	FINISH
8	FERRULE	1	COPPER	GOLD
7	END CAP	1	BRASS	GOLD
6	INSULATOR DISK	1	PTFE	---
5	RETAINING RING	1	Be.Cu.	GOLD
4	FERRULE STUD	1	BRASS	GOLD
3	PIN	1	BRASS	GOLD
2	INSULATOR	1	PTFE	---
1	BODY	1	BRASS	GOLD

CUSTOMER OUTLINE DRAWING	
ALL DIMENSIONS ARE REFERENCE ONLY	
UNLESS OTHERWISE SPECIFIED: DIMENSIONS ARE IN INCHES AND [MILLIMETERS]	
DRAWN C. ZUNIGA	06/27/19
CHECKED	
ORJ DRAWN C. ZUNIGA	8/25/99

**RoHS
COMPLIANT**

PROPRIETARY AND CONFIDENTIAL
 THIS DRAWING CONTAINS
 INFORMATION PROPRIETARY TO
 RF INDUSTRIES. ANY
 UNAUTHORIZED USE OF THIS
 DRAWING IS EXPRESSLY
 PROHIBITED WITHOUT WRITTEN
 PERMISSION FROM RF
 INDUSTRIES. ANY VIOLATION IS
 PUNISHABLE UNDER U.S.
 COPYRIGHT LAWS.

RFconnectors
 DIVISION OF RF INDUSTRIES, LTD. (858) 549-6345 FAX

RFINDUSTRIES.COM
 7610 MIRAMAR RD.
 SAN DIEGO, CA 92126
 (858) 549-6340

MMCX CRIMP PLUG
 RIGHT ANGLE

CABLE GROUP	DWG #	REVISION
A	RMX-9010-1A	E
FORMAT	SCALE	CONTROL #
A	NTS	000000
		SHEET 1 OF 1