

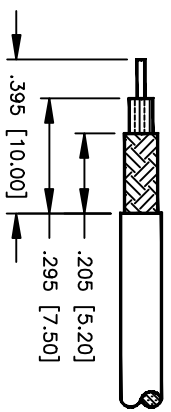
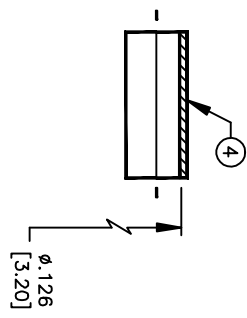
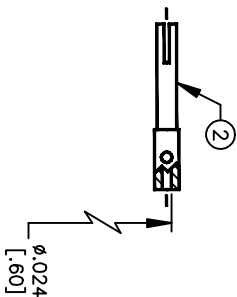
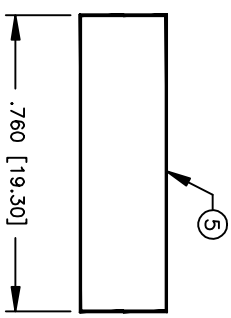
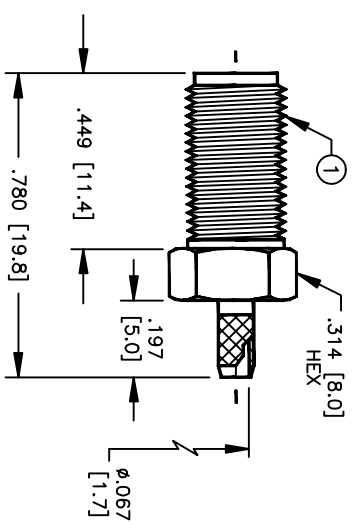
# SPECIFICATION CONTROL DRAWING

THIS DRAWING CONTAINS INFORMATION PROPRIETARY TO RF INDUSTRIES, LTD. ANY UNAUTHORIZED USE OF THIS DRAWING IS EXPRESSLY PROHIBITED. ANY VIOLATION IS PUNISHABLE UNDER U.S. COPYRIGHT LAWS.

REV	DESCRIPTION	DWN	DATE	APPROVED
A	ENGINEERING RELEASE	CZS	6/9/99	R. RICE

ALL DIMENSIONS ARE REFERENCE ONLY

008974



SUGGESTED STRIPPING INSTRUCTIONS  
 SUGGESTED CRIMP: .130  
 CONTACT TO BE SOLDERED

## SPECIFICATIONS:

IMPEDANCE: 50 OHMS  
 WORKING VOLTAGE: 375V PEAK @ SEA LEVEL  
 FREQUENCY RANGE: 0-12.4 GHz  
 INSERTION LOSS:  $\leq$  -.2 dB @ 6 GHz  
 VSWR MAX: 1.3:1 @ 12 GHz  
 FOR RG-316/U DOUBLE SHIELD CABLE

ITEM	DESCRIPTION	QTY	MATERIAL	FINISH
5	TUBING	1	HEAT SHRINK	BLACK
4	FERRULE [FER-1BKJ]	1	BRASS	NICKEL
3	DIELECTRIC	1	PTFE	NONE
2	CONTACT	1	BeCu	GOLD
1	BODY	1	BRASS	NICKEL

DIMENSIONS ARE IN INCHES AND [MILLIMETERS]  
 UNLESS OTHERWISE NOTED TOLERANCES ARE: DECIMALS DIAMETER

DRAWN	C. ZUNIGA	6/9/99
CHECKED		
ORU DRAWN	C. ZUNIGA	6/9/99
APPROVALS		

RF

connectors

DIVISION OF RF INDUSTRIES, LTD.

RSA-3050-B1

SMA FEMALE CRIMP

7610 MIRAMAR RD  
 SAN DIEGO, CA 92126  
 (619)549-6340  
 (619)549-6345 FAX

SIZE	CABLE GROUP	DWG NO.	REV
A	B1	9194	A
SCALE:	2:1	CAD FILE	13ARC B
		SHEET	1 OF 1