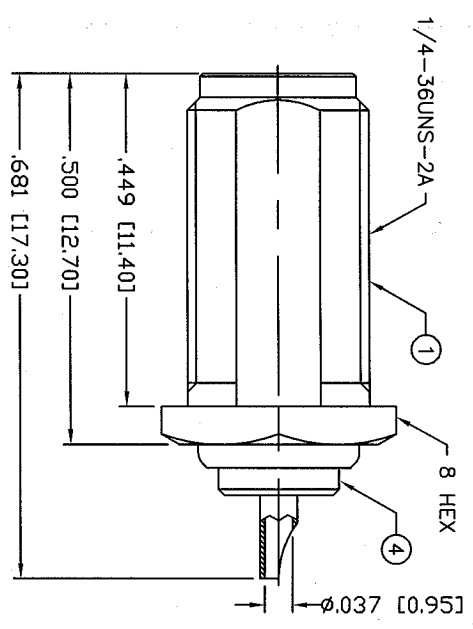
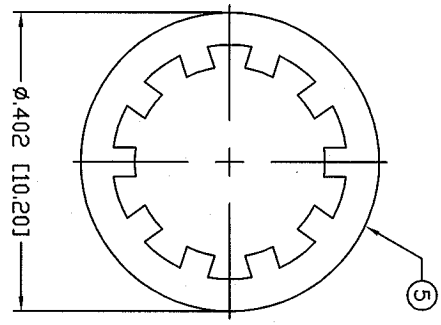
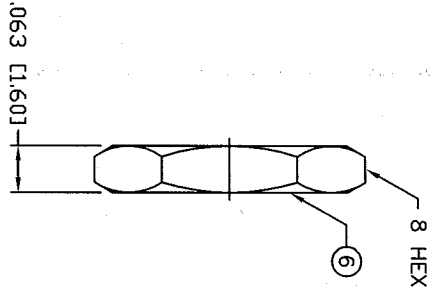
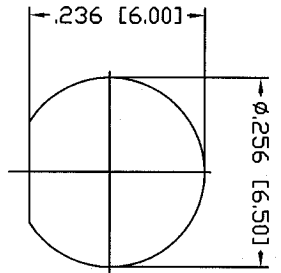


THIS DRAWING CONTAINS INFORMATION PROPRIETARY TO RF INDUSTRIES.  
 ANY UNAUTHORIZED USE OF THIS DRAWING IS EXPRESSLY PROHIBITED  
 WITHOUT WRITTEN PERMISSION FROM RF INDUSTRIES.  
 ANY VIOLATION IS PUNISHABLE UNDER U.S. COPYRIGHT LAWS.

ALL DIMENSIONS ARE REFERENCE ONLY

PART NO.		DESCRIPTION		DWN	DATE	APPROVED
REV						
A	ENGINEERING RELEASE			WMD	1/5/94	C. JONES
B	CORRECT PLATING \ ADD SOLDER POT ID			KMM	8/25/96	R. RICE
C	CHANGE FORMAT, SPECS & DWG # 8286			GGG	9/6/01	JDMc



**SPECIFICATIONS:**

IMPEDANCE: 50 Ohms  
 FREQUENCY RANGE: 0-12.4 GHz  
 WORKING VOLTAGE: 335 V rms Max. @ Sea Level  
 INSULATION RESISTANCE: 5k M Ohms min.  
 TEMPERATURE RANGE: -65°C TO 165°C

#	DESCRIPTION	QTY	MATRL	FINISH	APPROVALS	DATE
1	BODY	1	BRASS	NICKEL, 100μ"		
2	INSULATOR	1	PTFE	---	008974	
3	PIN	1	BeCu	GOLD, 50μ"		
4	INSULATOR	1	PTFE	---		
5	LOCK WASHER	1	BRASS	NICKEL, 100μ"		
6	HEX NUT	1	BRASS	NICKEL, 100μ"		
7						
8						
9						
10						
11						
12						
13						
14						

UNLESS OTHERWISE SPECIFIED:  
 1. REMOVE ALL BURRS  
 2. BREAK ALL CORNERS & EDGES .005 R. MAX.  
 3. CHAMFER 1ST & LAST THREADS 45°  
 4. SURFACE ROUGHNESS 63 FINISH MIL-STD-10  
 5. DIAMETERS ON COMMON CENTERS TO BE CONCENTRIC WITHIN .002 T.I.R.  
 6. ALL DIMENSIONS ARE AFTER PLATING.

DIMENSIONS ARE IN INCHES AND [MILLIMETERS]  
 UNLESS OTHERWISE NOTED TOLERANCES ARE:  
 DECIMALS .xxx±.003 [.08]  
 DIAMETER .xxx±.001 [.03]  
 .xxx±.003 [.08]

**RF connectors**  
 DIVISION OF RF INDUSTRIES, LTD.  
 7610 MIRAMAR RD  
 SAN DIEGO, CA 92126  
 (858) 549-6340  
 (858) 549-6345 FAX

**SMA JACK, BULKHEAD**  
 SOLDER CUP, REAR MOUNT

SIZE	CABLE GROUP	DWG NO.	REV
A	N/A	RSA-3251	C
SCALE:	NTS	CAD FILE	OUTLINE
			SHEET 1 OF 1