

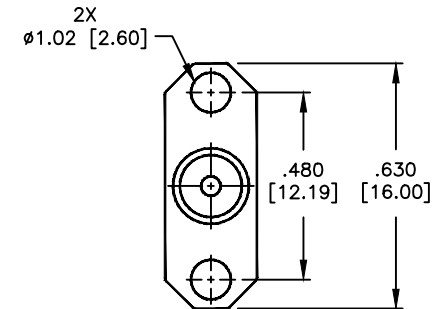
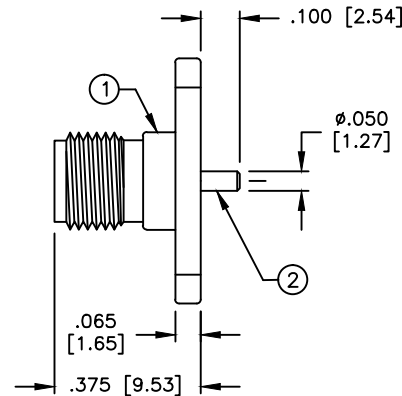
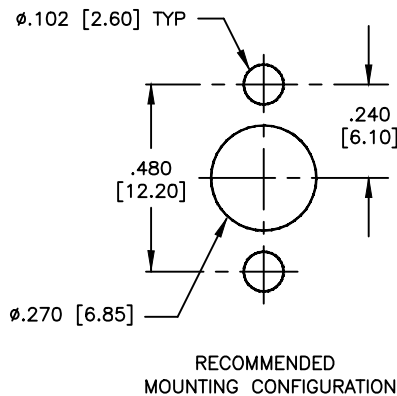
SPECIFICATION CONTROL DRAWING

THIS DRAWING CONTAINS INFORMATION PROPRIETARY TO RF INDUSTRIES, LTD. ANY UNAUTHORIZED USE OF THIS DRAWING IS EXPRESSLY PROHIBITED. ANY VIOLATION IS PUNISHABLE UNDER U.S. COPYRIGHT LAWS.

REV	DESCRIPTION	DWN	DATE	APPROVED
A	ENGINEERING RELEASE	WMD	11/11/93	C. JONES
B	CHANGED PART NO. FROM RSA-2372 TO RSA-3261	WMD	1/1/94	C. JONES
C	CHANGE CONTACT / CHANGE PART NUMBER FROM RSA-3261	CZS	4/7/00	J. D. McR.

ALL DIMENSIONS ARE REFERENCE ONLY

008974



SPECIFICATIONS:

IMPEDANCE: 50 OHMS
 WORKING VOLTAGE: 335 @ SEA LEVEL
 FREQUENCY RANGE: 0-12.4 GHz
 INTERFACE PER MIL-STD-348, SECTION 310.2

DIMENSIONS ARE IN INCHES AND [MILLIMETERS]

UNLESS OTHERWISE NOTED TOLERANCES ARE:
 DECIMALS DIAMETER

RFconnectors

DIVISION OF RF INDUSTRIES, LTD.

7610 MIRAMAR RD
 SAN DIEGO, CA 92126
 (858) 549-6340
 (858) 549-6345 FAX

RSA-3262

SMA FEMALE BULKHEAD, 2 HOLE FLANGE, POST TERMINAL

ITEM	DESCRIPTION	QTY	MATERIAL	FINISH
5	RETAINING RING	1	BRASS	NICKEL
4	DIELECTRIC	1	PTFE	NONE
3	DIELECTRIC	1	PTFE	NONE
2	CONTACT	1	BeCu	GOLD
1	BODY	1	BRASS	NICKEL

DRAWN C. ZUNIGA	4/7/00
CHECKED	
ORJ DRAWN W. DANIELS	1/1/94
APPROVALS	DATE

SIZE A	CABLE GROUP N/A	DWG NO. 8249	REV C
SCALE: 2:1		CAD FILE	SHEET 1 OF 1