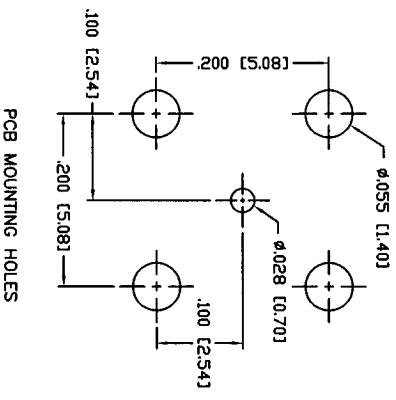
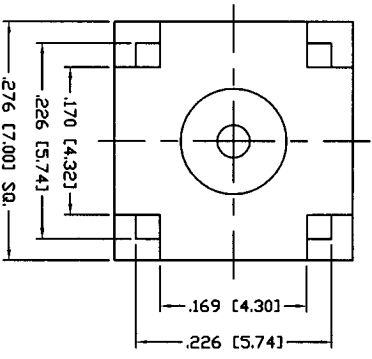
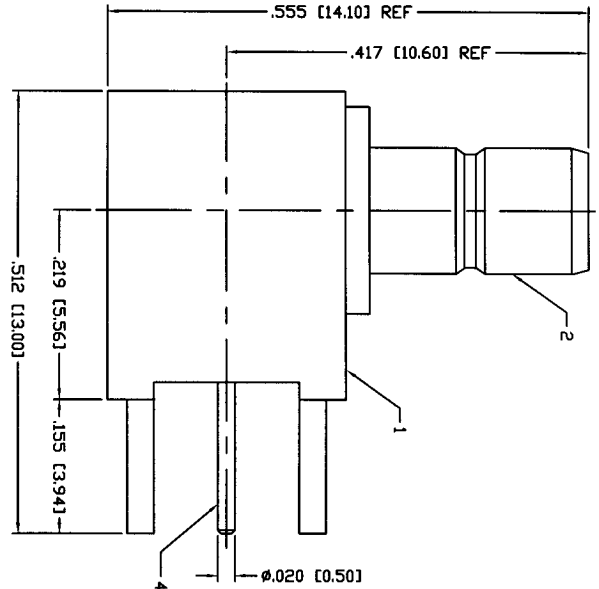


THIS DRAWING CONTAINS INFORMATION PROPRIETARY TO RF INDUSTRIES.
 ANY UNAUTHORIZED USE OF THIS DRAWING IS EXPRESSLY PROHIBITED
 WITHOUT WRITTEN PERMISSION FROM RF INDUSTRIES.
 ANY VIOLATION IS PUNISHABLE UNDER U.S. COPYRIGHT LAWS.

PART NO.		RSB-255-1	
REV	DESCRIPTION	DWN	DATE
-	ENGINEERING RELEASE	CZS	8/4/00
			JDMC



SPECIFICATIONS:

IMPEDANCE: 75 OHMS
 FREQUENCY: DC-2 GHz

1	BODY	1	BRASS	GOLD, 3 MICRO	008974		
2	PRESS FIT BODY	1	BRASS	GOLD, 3 MICRO			
3	INSULATOR	1	PTFE	---			
4	CONTACT	1	BRASS	GOLD, 30 MICRO			
5	INSULATOR	1	PTFE	---			
6							
7							
8							
9							
10							
11							
12							
13							
14							
#	DESCRIPTION	QTY	MATRL	FINISH	APPROVALS	DATE	

UNLESS OTHERWISE SPECIFIED:
 1. REMOVE ALL BURRS
 2. BREAK ALL CORNERS & EDGES .005 R. MAX.
 3. CHAMFER 1ST & LAST THREADS 45°
 4. SURFACE ROUGHNESS 63 FINISH MIL-STD-10
 5. DIAMETERS ON COMMON CENTERS TO BE CONCENTRIC WITHIN .002 T.I.R.
 6. ALL DIMENSIONS ARE AFTER PLATING.

DIMENSIONS ARE IN INCHES AND [MILLIMETERS]
 UNLESS OTHERWISE NOTED
 TOLERANCES ARE:
 DECIMALS DIAMETER .xxx±.001 [.03]
 .xxx±.003 [.08]
 .xx±.005 [.13]

ALL DIMENSIONS ARE REFERENCE ONLY

RF connectors
 DIVISION OF RF INDUSTRIES, LTD.
 7610 MIRAMAR RD
 SAN DIEGO, CA 92126
 (858) 549-6340
 (858) 549-6345 FAX

SMB, MINI 75 OHM

RIGHT ANGLE P.C. MOUNT JACK

SIZE	CABLE GROUP	DWG NO.	REV
A	N/A	RSB-255-1	-
SCALE:	NTS	CAD FILE	OUTLINE
		SHEET	1 OF 1