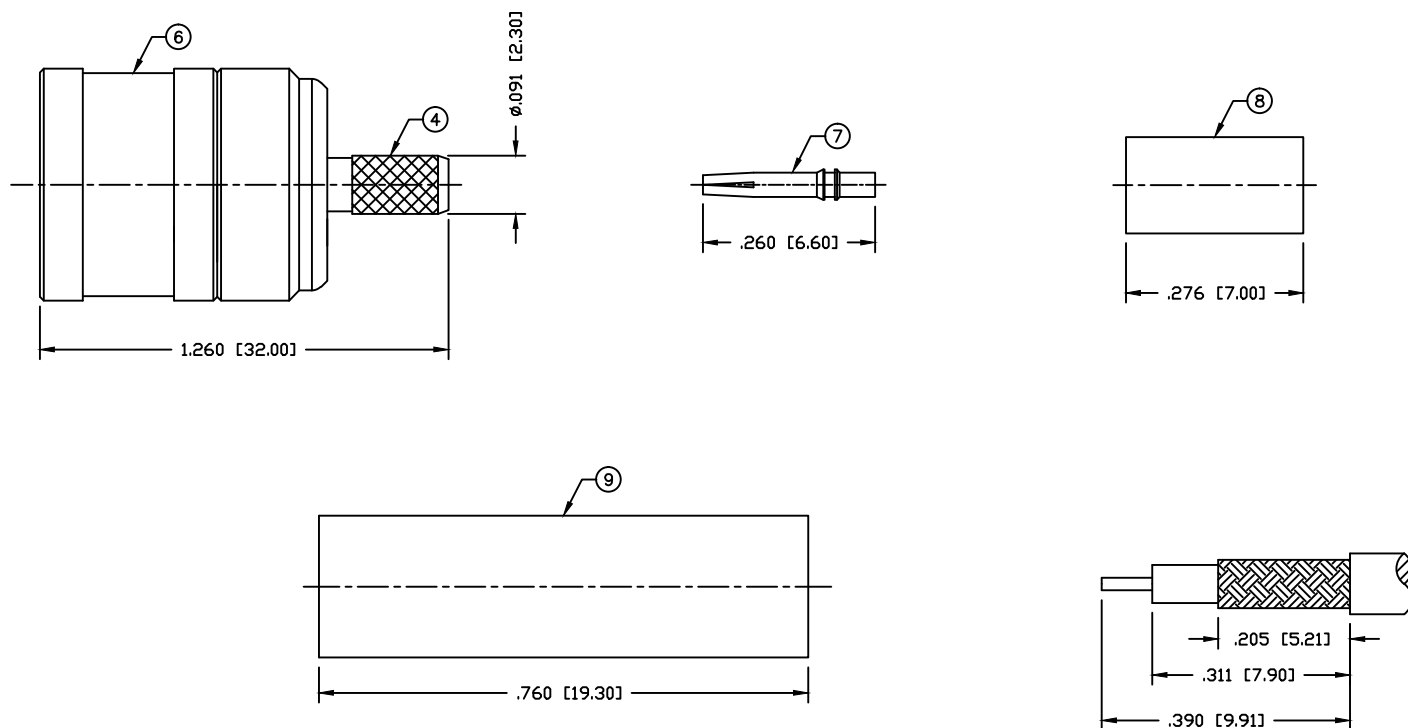


PART NO.

RSB-300-1S1

REV	DESCRIPTION	DWN	DATE	APPROVED
-	ENGINEERING RELEASE	CZS	01/11/16	JDMc



RECOMMENDED STRIPPING DIMENSIONS

SPECIFICATIONS:

IMPEDANCE: 75 OHMS
FOR RG-179/U-DS

ITEM	DESCRIPTION	QTY	MATERIAL	FINISH
9	TUBING	1	HEAT SHRINK	BLACK
8	FERRULE	1	COPPER	GOLD
7	CONTACT	1	BeCu	GOLD
6	SHELL	1	BRASS	GOLD
5	RETAINER RING	1	BeCu	NONE
4	BARREL	1	BRASS	GOLD
3	DIELECTRIC	1	PTFE	NONE
2	DIELECTRIC	1	PTFE	NONE
1	BODY	1	BRASS	GOLD

CUSTOMER OUTLINE DRAWING	
ALL DIMENSIONS ARE REFERENCE ONLY	
UNLESS OTHERWISE SPECIFIED: DIMENSIONS ARE IN INCHES AND [MILLIMETERS]	
DRAWN C. ZUNIGA	01/11/16
CHECKED	
ORJ DRAWN C. ZUNIGA	01/11/16

**RoHS
COMPLIANT**

PROPRIETARY AND CONFIDENTIAL
THIS DRAWING CONTAINS
INFORMATION PROPRIETARY TO
RF INDUSTRIES. ANY
UNAUTHORIZED USE OF THIS
DRAWING IS EXPRESSLY
PROHIBITED WITHOUT WRITTEN
PERMISSION FROM RF
INDUSTRIES. ANY VIOLATION IS
PUNISHABLE UNDER U.S.
COPYRIGHT LAWS.

RFconnectors
DIVISION OF RF INDUSTRIES, LTD.

7610 MIRAMAR RD.
SAN DIEGO, CA 92126
(858) 549-6340
(858) 549-6345 FAX

SMB CRIMP PLUG

SIZE	CABLE GROUP	DWG NO.	REV
A	S1	RSB-300-1S1	-
SCALE: NTS	ENGINEERING ID: 000000	SHEET 1 OF 1	