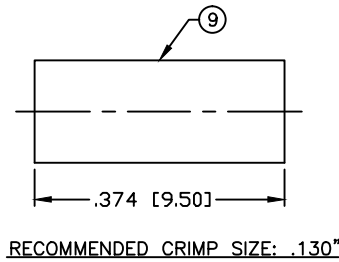
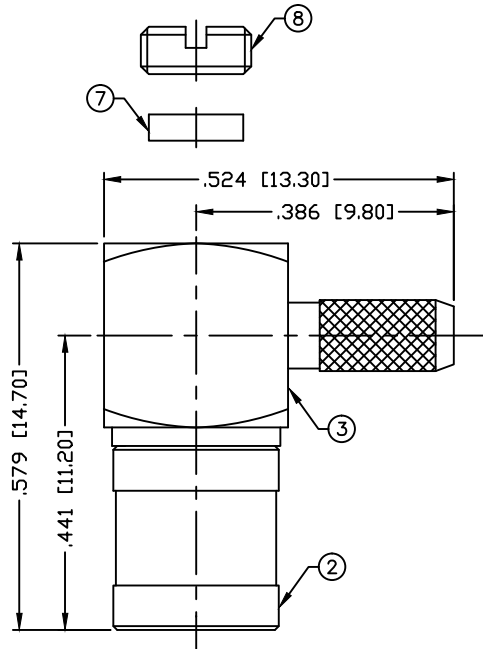
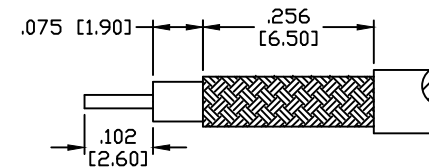
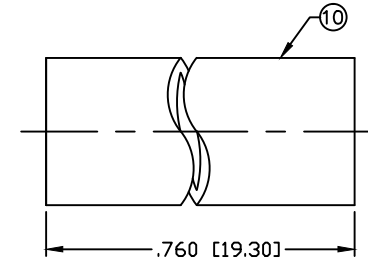


THIS DRAWING CONTAINS INFORMATION PROPRIETARY TO RF INDUSTRIES.
 ANY UNAUTHORIZED USE OF THIS DRAWING IS EXPRESSLY PROHIBITED
 WITHOUT WRITTEN PERMISSION FROM RF INDUSTRIES.
 ANY VIOLATION IS PUNISHABLE UNDER U.S. COPYRIGHT LAWS.

PART NO.		RSB-4010-1B		
REV	DESCRIPTION	DWN	DATE	APPROVED
-	ENGINEERING RELEASE	CZS	9/8/99	J. D. McR.



ALL DIMENSIONS ARE REFERENCE ONLY



RECOMMENDED STRIPPING DIMENSIONS

NOTE: ATTACH CABLE TO CONNECTOR BY SOLDERING THE CABLE INNER CONDUCTOR TO THE CONTACT SLOT INSIDE THE CONNECTOR

SPECIFICATIONS:

IMPEDANCE: 50 Ohms
 FREQUENCY RANGE: 0-4 GHz
 WORKING VOLTAGE: 335 V rms Max. @ Sea Level
 CONTACT RESISTANCE: ≤ 6 m Ohm
 INSULATION RESISTANCE: 1k M Ohms min.
 TEMPERATURE RANGE: -65°C TO 165°C
 FOR RG-174, 188, 188A, 316/U, ALPHA 9174, 9316,
 BELDEN 8216, 83269, 83284, 84316 & TIMES LMR-100A CABLE

1	COUPLING NUT	1	BRASS	GOLD, 3μ"	008974	
2	PRESS BODY	1	BRASS	GOLD, 3μ"		
3	BODY	1	BRASS	GOLD, 3μ"		
4	INSULATOR	1	PTFE	---		
5	CONTACT	1	Be. Cu.	GOLD, 30μ"		
6	RETAINING RING	1	Be. Cu.	---		
7	INSULATOR	1	PE	---		
8	COVER	1	BRASS	GOLD, 3μ"		
9	FERRULE	1	BRASS	GOLD, 3μ"		
10	TUBING	1	HEAT TREAT	---		
11					DRAWN	
12					C. ZUNIGA	
13					CHECKED	
14					ORJ DRAWN	
					C. ZUNIGA	
					3/21/03	
#	DESCRIPTION	QTY	MATERIAL	FINISH (IN)	APPROVALS	DATE

UNLESS OTHERWISE SPECIFIED:
 1. REMOVE ALL BURRS
 2. BREAK ALL CORNERS & EDGES .005 R. MAX.
 3. CHAMFER 1ST & LAST THREADS 45°
 4. SURFACE ROUGHNESS 63 FINISH MIL-STD-10
 5. DIAMETERS ON COMMON CENTERS TO BE CONCENTRIC WITHIN .002 T.I.R.
 6. ALL DIMENSIONS ARE AFTER PLATING.

DIMENSIONS ARE IN INCHES AND [MILLIMETERS]
 UNLESS OTHERWISE NOTED TOLERANCES ARE:
 DECIMALS DIAMETER
 .XXX±.003 [.08] .XXX±.001 [.03]
 .XX±.005 [.13] .XX±.003 [.08]

RF connectors 7610 MIRAMAR RD
 SAN DIEGO, CA 92126
 (858) 549-6340
 DIVISION OF RF INDUSTRIES, LTD. (858) 549-6345 FAX

SMB PLUG, CRIMP
 RIGHT ANGLE

SIZE	CABLE GROUP	DWG NO.	REV
A	B	RSB-4010-1B	-
SCALE: NTS		CAD FILE OUTLINE	SHEET 1 OF 1