

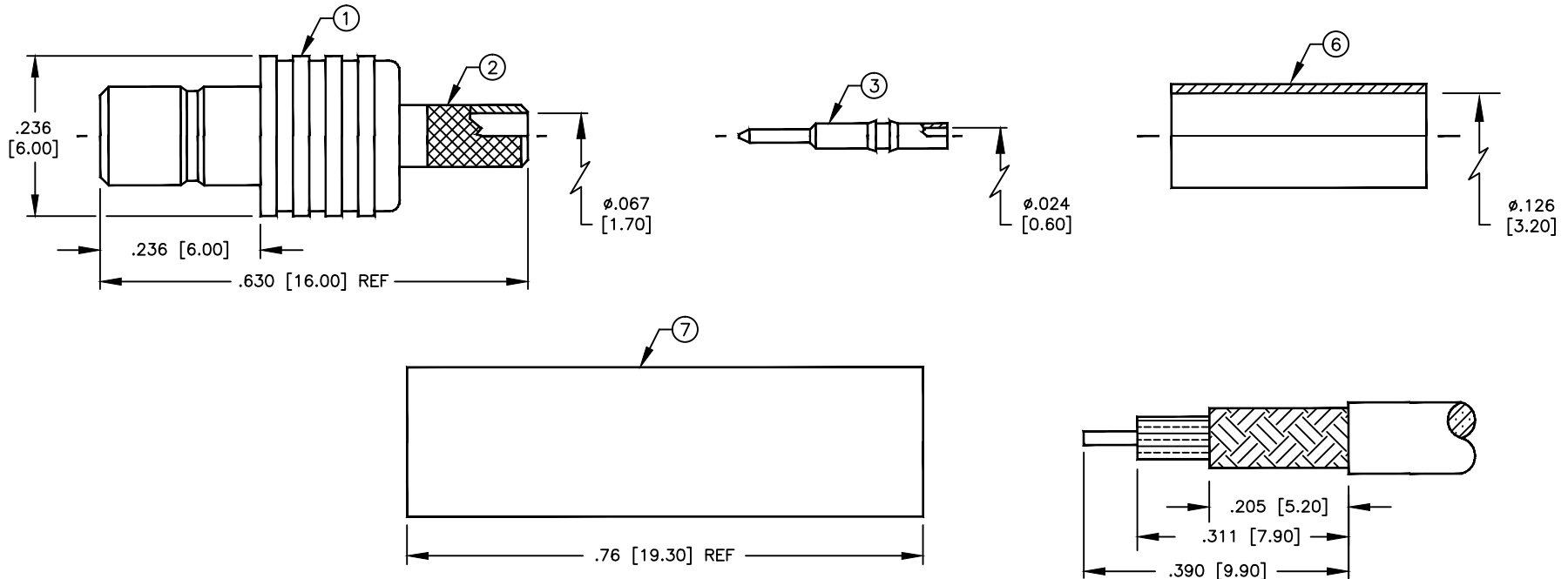
SPECIFICATION CONTROL DRAWING

REV	DESCRIPTION	DWN	DATE	APPROVED
A	ENGINEERING RELEASE	KMM	3/7/99	R. RICE

THIS DRAWING CONTAINS INFORMATION PROPRIETARY TO RF INDUSTRIES, LTD. ANY UNAUTHORIZED USE OF THIS DRAWING IS EXPRESSLY PROHIBITED. ANY VIOLATION IS PUNISHABLE UNDER U.S. COPYRIGHT LAWS.

ALL DIMENSIONS ARE REFERENCE ONLY

008974



SUGGESTED STRIPPING INSTRUCTIONS
SUGGESTED CRIMP DIE: .130
PIN TO BE SOLDERED

SPECIFICATIONS:

IMPEDANCE: 50 OHMS
WORKING VOLTAGE: 400 VRMS @ SEA LEVEL
FREQUENCY RANGE: 0-4 GHz
INSERTION LOSS: \leq -.25 dB MAX @ 4 GHz
VSWR MAX: 1.3:1 @ 4 GHz
FOR RG-316/U DOUBLE SHIELD CABLE

DIMENSIONS ARE IN INCHES AND [MILLIMETERS]

UNLESS OTHERWISE NOTED TOLERANCES ARE:
DECIMALS DIAMETER

*RF*connectors

DIVISION OF RF INDUSTRIES, LTD.

7610 MIRAMAR RD
SAN DIEGO, CA 92126
(619)549-6340
(619)549-6345 FAX

RSB-4050-B1

SMB CRIMP JACK

ITEM	DESCRIPTION	QTY	MATERIAL	FINISH
7	TUBING	1	HEAT SHRINK	BLACK
6	FERRULE [FER-1BKJ]	1	COPPER	NICKEL
5	DIELECTRIC	1	PTFE	NONE
4	DIELECTRIC	1	PTFE	NONE
3	PIN	1	BRASS	GOLD
2	FERRULE STUD	1	BRASS	NICKEL
1	BODY	1	BRASS	NICKEL

DRAWN K. MAXWELL	3/7/99
CHECKED	
ORJ DRAWN K. MAXWELL	3/7/99
APPROVALS	DATE

SIZE A	CABLE GROUP B1	DWG NO. 9057	REV A
SCALE: 4 : 1		CAD FILE 13ARC B	SHEET 1 OF 1