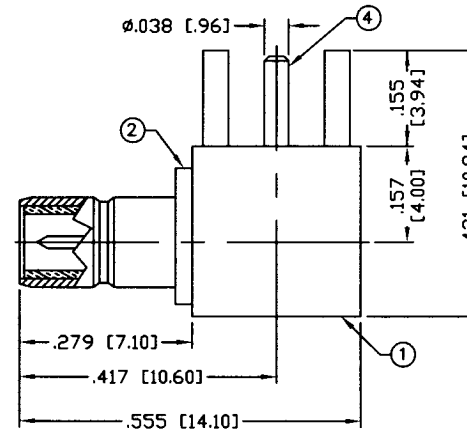
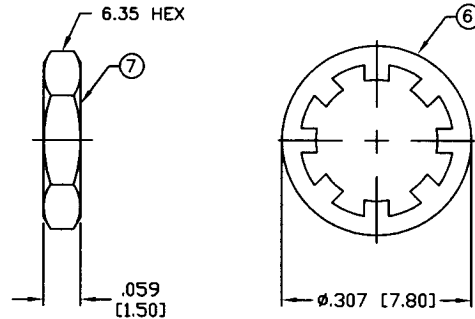
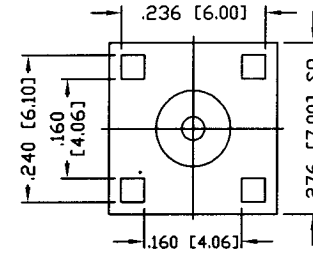


THIS DRAWING CONTAINS INFORMATION PROPRIETARY TO RF INDUSTRIES.
 ANY UNAUTHORIZED USE OF THIS DRAWING IS EXPRESSLY PROHIBITED
 WITHOUT WRITTEN PERMISSION FROM RF INDUSTRIES.
 ANY VIOLATION IS PUNISHABLE UNDER U.S. COPYRIGHT LAWS.

ALL DIMENSIONS ARE REFERENCE ONLY

PART NO.		RSB-4300-1		
REV	DESCRIPTION	DWN	DATE	APPROVED
-	ENGINEERING RELEASE	CZS	8/1/96	JDMc



SPECIFICATIONS:

IMPEDANCE: 50 Ohms
 VOLTAGE RATING: 350 V PEAK
 FREQUENCY RANGE: 0-4 GHz
 TEMPERATURE RANGE: -65°C TO 165°C

1	BODY	1	BRASS	GOLD, 3 μ"
2	PRESS BODY	1	BRASS	GOLD, 3 μ"
3	INSULATOR	1	PTFE	---
4	PIN	1	BRASS	GOLD, 30 μ"
5	INSULATOR	1	PTFE	---
6	LOCK WASHER	1	BRASS	GOLD, 3 μ"
7	HEX NUT	1	BRASS	GOLD, 3 μ"
8				
9				
10				
11				
12				
13				
14				
#	DESCRIPTION	QTY	MATERIAL	FINISH

008974	
DRAWN	7/25/05
JDMc	
CHECKED	7-21-05
ORJ DRAWN	
K. MAXWELL	8/1/96
APPROVALS	DATE

UNLESS OTHERWISE SPECIFIED:

1. REMOVE ALL BURRS
2. BREAK ALL CORNERS & EDGES .005 R. MAX.
3. CHAMFER 1ST & LAST THREADS 45°
4. SURFACE ROUGHNESS 63 FINISH MIL-STD-10
5. DIAMETERS ON COMMON CENTERS TO BE CONCENTRIC WITHIN .002 T.I.R.
6. ALL DIMENSIONS ARE AFTER PLATING.

DIMENSIONS ARE IN INCHES AND [MILLIMETERS]
 UNLESS OTHERWISE NOTED TOLERANCES ARE:

DECIMALS	DIAMETER
.XXX±.003 [.08]	.XXX±.001 [.03]
.XX±.005 [.13]	.XX±.003 [.08]

RF

7610 MIRAMAR RD
 SAN DIEGO, CA 92126
 (858) 549-6340
 (858) 549-6345 FAX

connectors

DIVISION OF RF INDUSTRIES, LTD.

SMB JACK

RIGHT ANGLE, PCB MOUNT

SIZE	CABLE GROUP	DWG NO.	REV
A	N/A	RSB-4300-1	—

SCALE: NTS
CAD FILE OUTLINE
SHEET 1 OF 1