

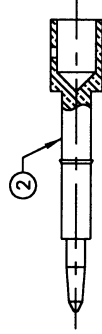
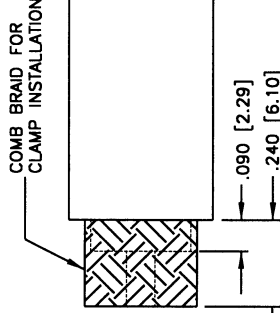
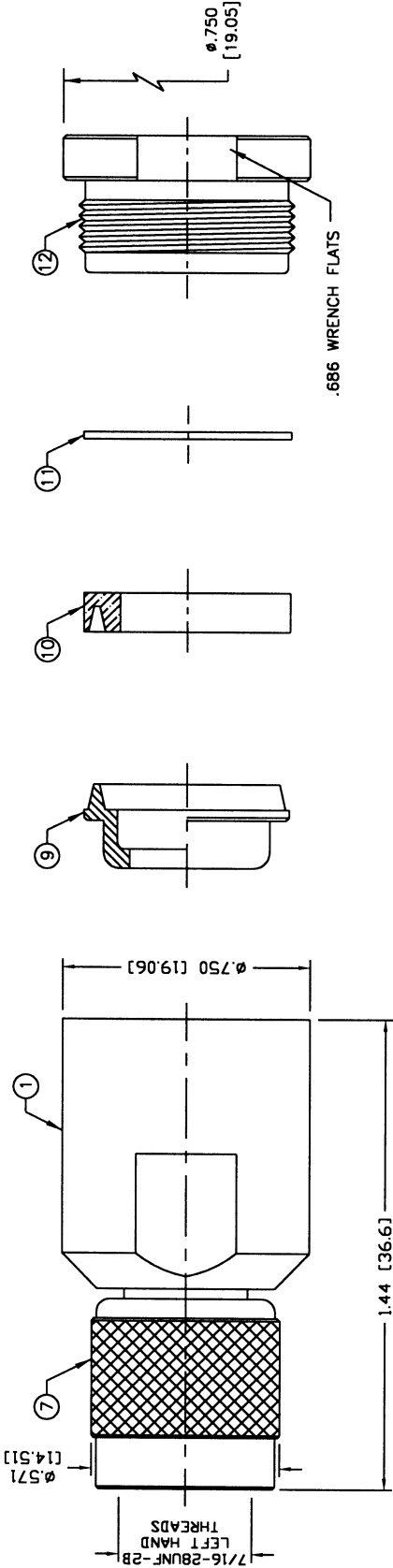
RT-1200-1

PART NO.

THIS DRAWING CONTAINS INFORMATION PROPRIETARY TO RF INDUSTRIES. ANY UNAUTHORIZED USE OF THIS DRAWING IS EXPRESSLY PROHIBITED WITHOUT WRITTEN PERMISSION FROM RF INDUSTRIES. ANY VIOLATION IS PUNISHABLE UNDER U.S. COPYRIGHT LAWS.

ALL DIMENSIONS ARE REFERENCE ONLY

REV	DESCRIPTION	DWN	DATE	APPROVED
-	ENGINEERING RELEASE	CZS	11/4/03	JDMc



RECOMMENDED CRIMP DIE: .128"

RECOMMENDED STRIPPING INSTRUCTIONS

SPECIFICATIONS:

IMPEDANCE: 50 Ohms
 FREQUENCY RANGE: 0-7 GHz
 WORKING VOLTAGE: 500 V rms @ sea level
 INSULATION RESISTANCE: 5k M ohms min.
 TEMPERATURE RANGE: -65°C TO +85°C
 FOR BELDEN 8214, 9913, 9913F, 9914, RG-8/U TYPE,
 CAROL C1180, TIMES AA-5886 & LMR-400 CABLE

1 BODY	1 BRASS	SILVER, 80 μ	000000	UNLESS OTHERWISE SPECIFIED:	RF connectors DIVISION OF RF INDUSTRIES, LTD.	7610 MIRAMAR RD SAN DIEGO, CA 92126 (858) 549-6340 (858) 549-6345 FAX
2 PIN	1 BRASS	GOLD, 30 μ				
3 INSULATOR	1 PTFE	---			TNC PLUG, CLAMP	REVERSE THREAD
4 GASKET	1 RUBBER	---				
5 LOCK WASHER	1 BRASS	SILVER, 80 μ			SIZE A	CABLE GROUP I
6 RETAINING RING	1 BRASS	---				
7 SHELL	1 BRASS	SILVER, 80 μ			SCALE: NTS	CAD FILE OUTLINE
8 PRESS WASHER	1 BRASS	SILVER, 80 μ				
9 CLAMP	1 BRASS	SILVER, 80 μ				
10 GASKET	1 RUBBER	---				
11 WASHER	1 BRASS	SILVER, 80 μ				
12 BACK NUT	1 BRASS	SILVER, 80 μ				
13						
14						
# DESCRIPTION	QTY	MATERIAL	FINISH	APPROVALS	DATE	
				APPROVED C. ZUNIGA 11/4/03	11/4/03	
				CHECKED C. ZUNIGA 11/4/03	11/4/03	
				ORJ DRAWN C. ZUNIGA	11/4/03	