

# ENVELOPE / ASSEMBLY DRAWING

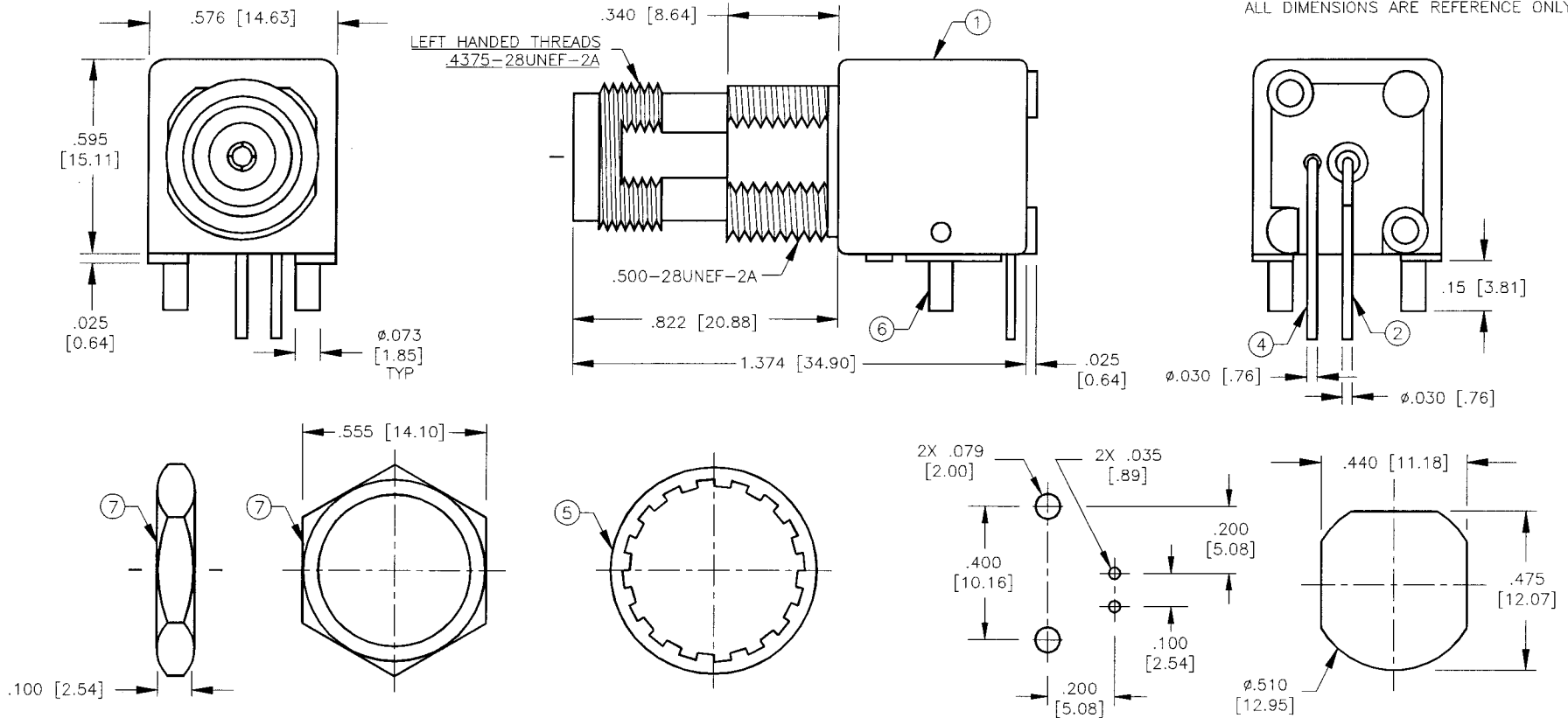
000360

## SPECIFICATION CONTROL DRAWING

THIS DRAWING CONTAINS INFORMATION PROPRIETARY TO RF INDUSTRIES, LTD. ANY UNAUTHORIZED USE OF THIS DRAWING IS EXPRESSLY PROHIBITED. ANY VIOLATION IS PUNISHABLE UNDER U.S. COPYRIGHT LAWS.

REV	DESCRIPTION	DWN	DATE	APPROVED
A	ENGINEERING RELEASE	CZS	8/4/99	R. RICE

ALL DIMENSIONS ARE REFERENCE ONLY



### SPECIFICATIONS:

IMPEDANCE: 50 OHMS  
 INTERFACE PER MIL-STD-348A, SECTION 313.2  
 \* CONTACT GOLD PLATING AT BNC END - TIN/ LEAD  
 PLATING AT CIRCUIT BOARD END

DIMENSIONS ARE IN INCHES  
 AND [MILLIMETERS]

UNLESS OTHERWISE NOTED  
 TOLERANCES ARE:  
 DECIMALS DIAMETER

**RF connectors**  
 DIVISION OF RF INDUSTRIES, LTD.

7610 MIRAMAR RD  
 SAN DIEGO, CA 92126  
 (858) 549-6340  
 (858) 549-6345 FAX

## RT-1208

TNC FEMALE R/A PCB MOUNT,  
 LEFT HANDED THREADS, DIE CAST BODY

ITEM	DESCRIPTION	QTY	MATERIAL	FINISH
7	HEX NUT	1	BRASS	NICKEL
6	MOUNTING POST	2	BRASS	TIN
5	LOCK WASHER	1	PHOS BRONZE	NICKEL
4	GROUNDING TERMINAL	1	COPPER	TIN
3	DIELECTRIC	1	POLYPROPYLENE	NONE
2	CONTACT	1	BRASS	*
1	BODY	1	DIECAST ZINC	NICKEL

DRAWN C. ZUNIGA	8/4/99
CHECKED <i>C. Zuniga</i>	8/5/99
OR DRAWN C. ZUNIGA	8/4/99

SIZE	CABLE GROUP	DWG NO.	REV
A	N/A	9216	A

SCALE: 2:1      CAD FILE 13ARC B      SHEET 1 OF 1